

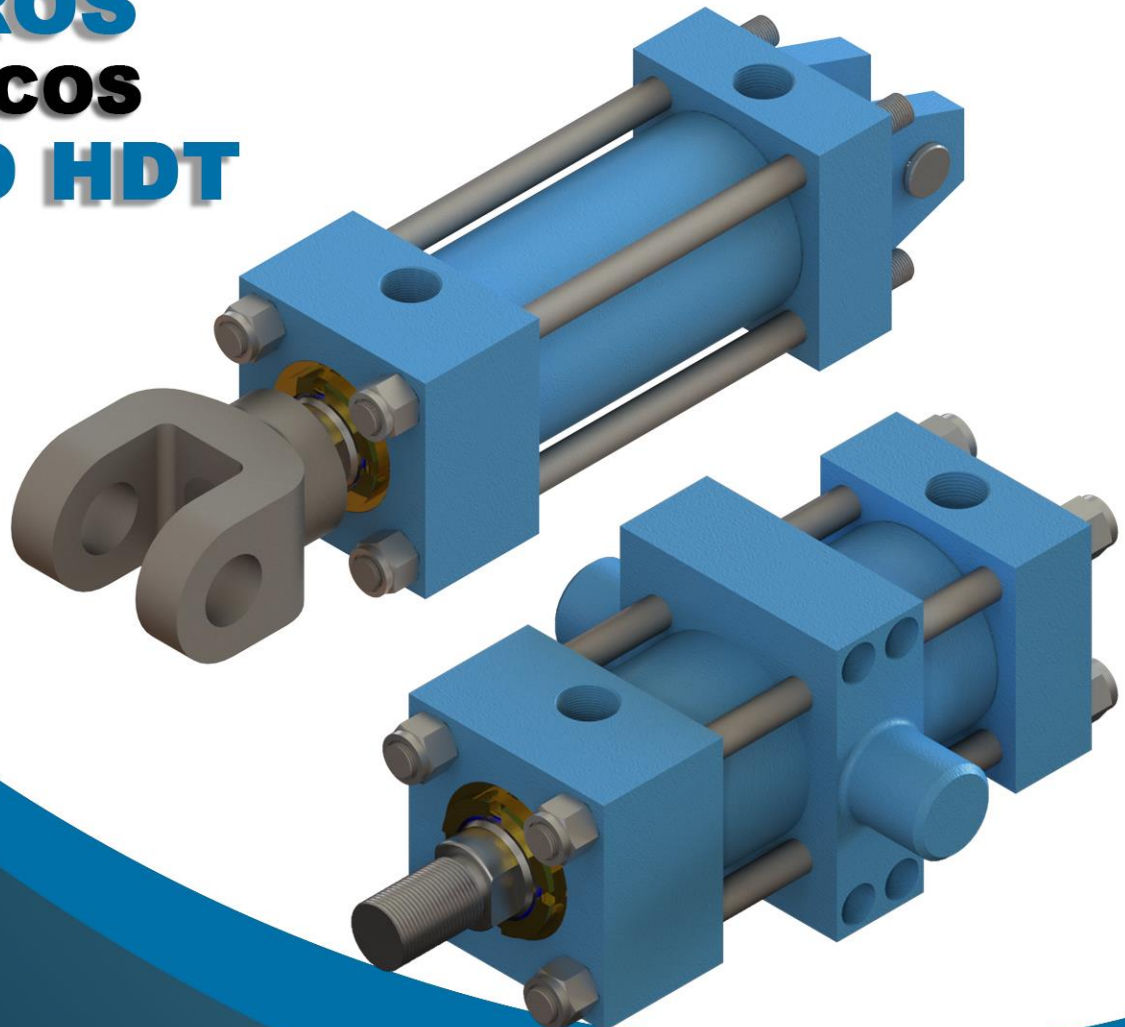


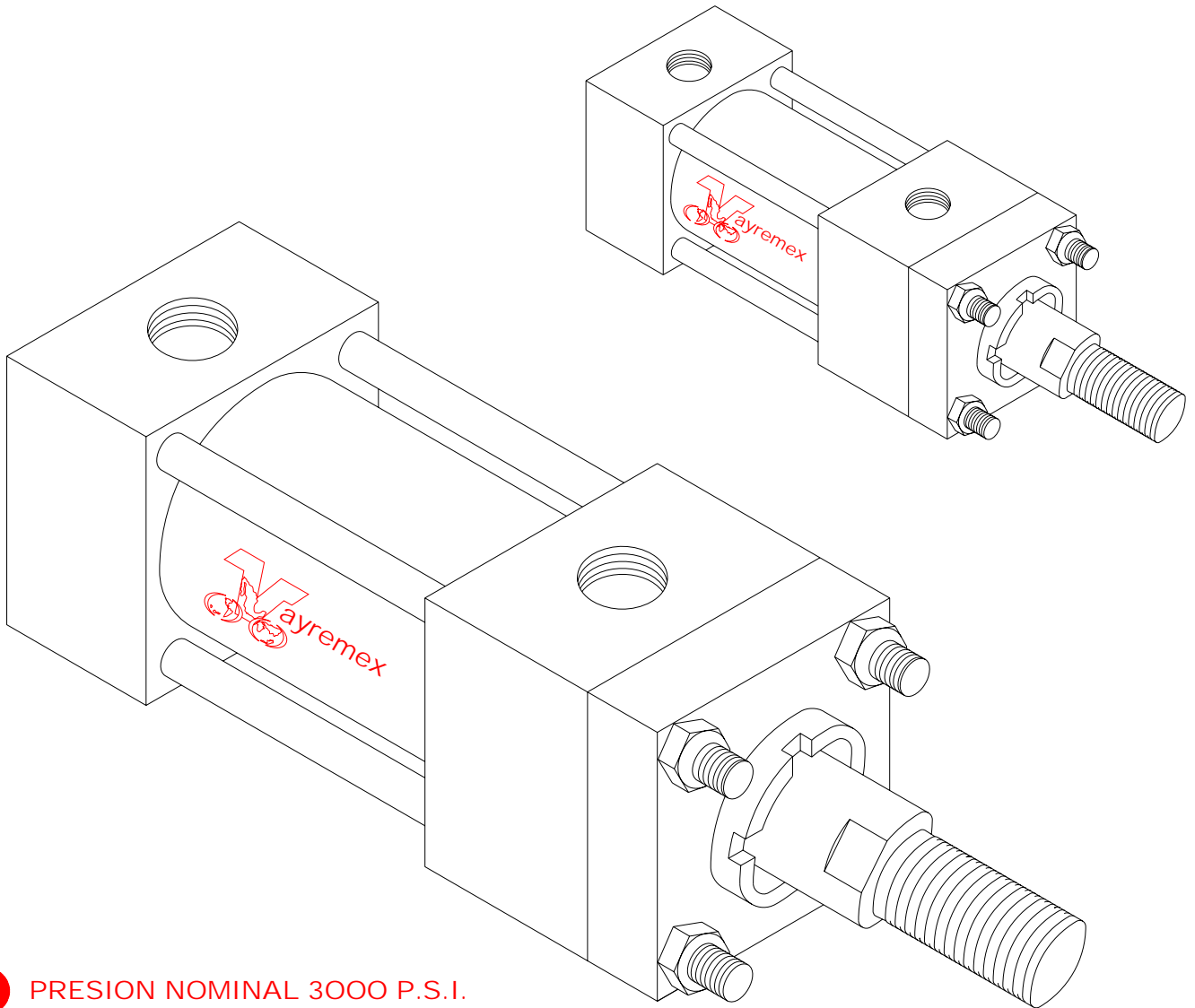
VÁLVULAS Y REGULADORES
DE MÉXICO S.A. DE C.V.

ayremex^{MR}

calidad - puntualidad - servicio

**CILÍNDROS
HIDRÁULICOS
MODELO HDT**





- PRESION NOMINAL 3000 P.S.I.
- DIAMETRO DE CILINDROS 1-1/2" A 6"
- DIAMETRO DE VASTAGOS 5/8" A 4-1/2"
- 18 TIPOS DE MONTAJES
- CILINDRO DOBLE VASTAGO





FUERZA AL EMPUJAR (CILINDROS HIDRAULICO)

DIAMETRO DE CILINDRO	AREA (PULGADAS CUADRADAS)	FUERZA AL EMPUJAR EN LIBRAS CON DIFERENTES PRESIONES. PARA CILINDROS HIDRAULICOS.											
		25	50	65	80	100	250	500	1000	1500	2000	2500	3000
1-1/2	1.767	44	88	115	142	177	443	885	1770	2650	3540	4417	5310
2	3.140	79	157	204	251	314	785	1570	3140	4710	6280	7650	9420
2-1/2	4.910	123	245	319	393	491	1228	2455	4910	7365	9820	12275	14730
3-1/4	8.300	208	215	540	664	830	2075	4150	8300	12450	16600	20750	24900
4	12.57	314	628	817	1006	1257	3143	6265	12570	18855	25140	31425	37710
5	19.64	491	982	1277	1571	1964	4910	9820	19640	29460	39280	49100	58920
6	20.27	707	1414	1838	2262	2827	7068	14135	28270	30405	56540	50675	84810

REDUCCION DE FUERZAS AL JALAR (CILINDROS HIDRAULICOS)

DIAMETRO DE VASTAGO	AREA (PULGADAS CUADRADAS)	DETERMINE LA FUERZA AL JALON DEL CILINDRO, REDUSCA LA FUERZA SEGUN EL DIAMETRO DEL VASTAGO SELECCIONAR FUERZA EN LA CARRERA SEGUN EL DIAMETRO DE CILINDRO VER TABLA DE ARRIBA.											
		25	50	65	80	100	250	500	1000	1500	2000	2500	3000
5/8	0.307	8	15	20	25	31	77	154	307	460	614	767	921
1	0.785	20	39	51	65	79	196	392	785	1177	1570	1962	2355
1-3/8	1.490	37	75	97	119	149	373	745	1490	2235	2980	3725	4470
1-3/4	2.410	60	121	157	193	241	603	1205	2410	3615	4820	6025	7230
2	3.140	79	157	204	251	314	785	1570	3140	4710	6280	7850	9420
2-1/2	4.910	123	245	319	393	491	1228	2455	4910	7365	9820	12275	14730
3	7.070	177	354	460	566	707	1767	3535	7070	10605	14140	17675	21210
3-1/2	9.620	241	481	625	770	962	2405	4810	9620	14430	19240	24050	28860
4	12.57	314	628	817	1006	1257	3143	6285	12570	18855	25140	31425	37710

VISION

SER UNA EMPRESA PRODUCTIVA, COMPETITIVA CON OPTIMA CALIDAD QUE LA LLEVE A SER LA MEJOR A NIVEL NACIONAL E INTERNACIONAL.

MISION

FABRICAR, REPARAR Y VENDER DISPOSITIVOS DE SEGURIDAD Y DE AUTOMATIZACION, BRINDANDO EL MEJOR SERVICIO Y ASESORIA AL CLIENTE.

POLITICA DE CALIDAD

HACER DIA CON DIA EL MEJOR PRODUCTO PARA BRINDAR UN EXCELENTE SERVICIO AL CLIENTE A TRAVES DE LA CAPACITACION, RESPONSABILIDAD, UNIDAD, ENTUSIASMO HUMILDAD Y HONRADEZ DE CADA UNO DE LOS INTEGRANTES DE LA ORGANIZACION.

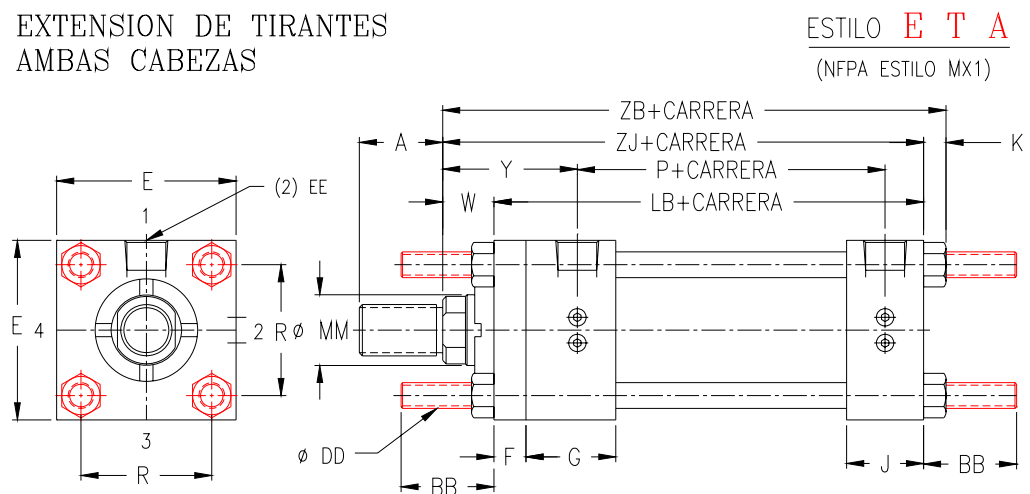
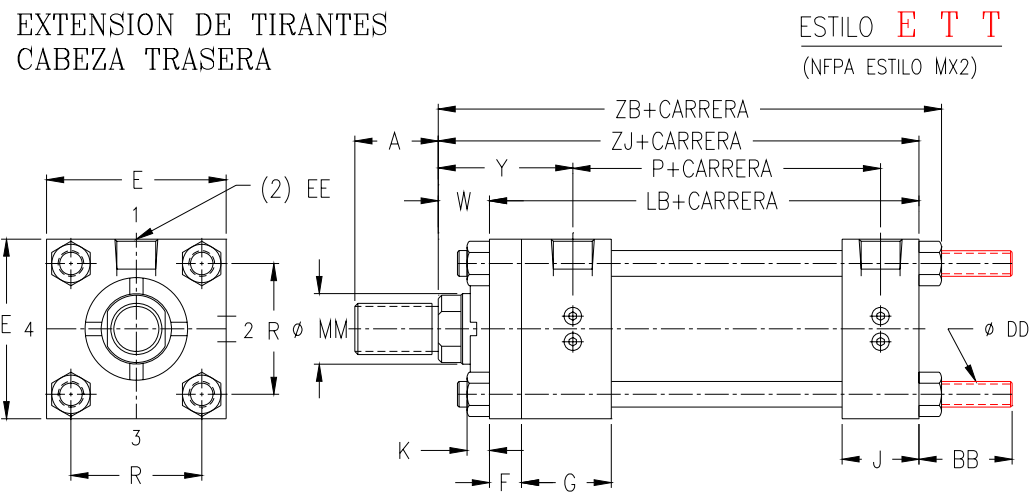
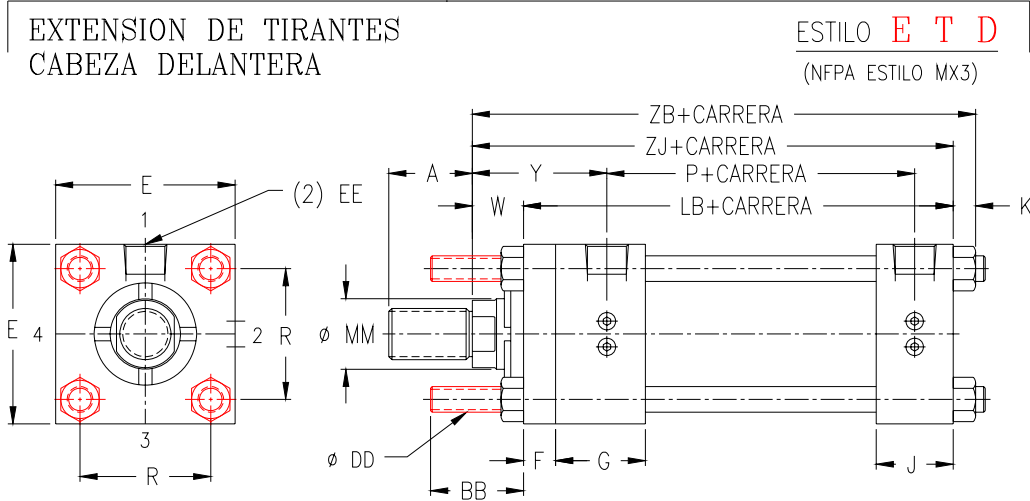


MONTAJE DE TIRANTES
DIAMETROS DE 1-1/2" A 6"

CILINDRO HIDRAULICO HDT

VER TABLA: 1A Y 3C

DIMENSIONES EXTERIORES DE MONTAJE



MONTAJE MARCADO CON ROJO



MONTAJE DE TIRANTES
DIAMETROS DE 1-1/2" A 6"

CILINDRO HIDRAULICO HDT

TABLA-1A

DIMENSIONES EXTERIORES DE MONTAJE

DIAMETRO	BB	DD	E	EE	F	G	J	K	R	+CARRERA	
				NPTF						LB	P
1-1/2	1-3/8	3/8-24	2-1/2	1/2	3/8	1-3/4	1-1/2	3/8	1.630	5	2-7/8
2	1-13/16	1/2-20	3	1/2	5/8	1-3/4	1-1/2	7/16	2.050	5-1/4	2-7/8
2-1/2	1-13/16	1/2-20	3-1/2	1/2	5/8	1-3/4	1-1/2	7/16	2.550	5-3/8	3
3-1/4	2-5/16	5/8-18	4-1/2	3/4	3/4	2	1-3/4	9/16	3.250	6-1/4	3-1/2
4	2-5/16	5/8-18	5	3/4	7/8	2	1-3/4	9/16	3.820	6-5/8	3-3/4
5	3-3/16	7/8-14	6-1/2	3/4	7/8	2	1-3/4	13/16	4.950	7-1/8	4-1/4
6	3-5/8	1-14	7-1/2	1	1	2-1/4	2	7/8	5.730	8-3/8	4-7/8

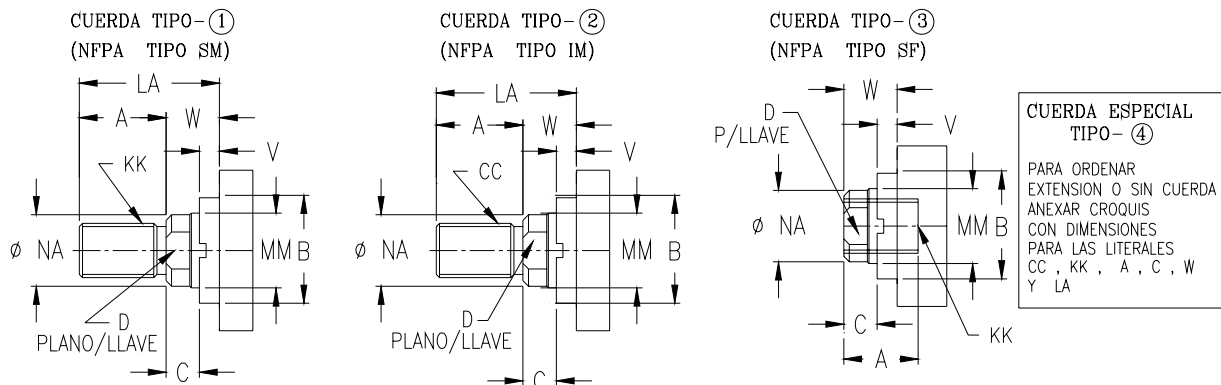
TABLA-2B

DIMENSIONES EXTERIORES DE VASTAGO

TABLA-3C

DIAMETRO	No. VAST	DIAM VAST MM	CUERDA		DIMENSIONES FINAL DE VASTAGO								+CARRERA		
			TIPO 2 CC	TIPO 1 Y 3 KK	A	B ^{+0.000} _{-0.002}	C	D	LA	NA	V	W	Y	ZB	ZJ
1-1/2	1 (STD)	5/8	1/2-20	7/16-20	3/4	1.124	3/8	1/2	1-3/8	9/16	1/4	5/8	2	7	5-3/8
	2	1	7/8-14	3/4-16	1-1/8	1.499	1/2	7/8	2-1/8	15/16	1/2	1	2-3/8	6-3/8	6
2	1 (STD)	1	7/8-14	3/4-16	1-1/8	1.499	1/2	7/8	1-7/8	15/16	1/4	3/4	2-3/8	6-7/16	6
	2	1-3/8	1-1/4-12	1-14	1-5/8	1.999	5/8	1-1/8	2-5/8	1-5/16	3/8	1	2-5/8	6-11/16	6-1/4
2-1/2	1 (STD)	1	7/8-14	3/4-16	1-1/8	1.499	1/2	7/8	1-7/8	15/16	1/4	3/4	2-3/8	6-9/16	6-1/8
	2	1-3/4	1-1/2-12	1-1/4-12	2	2.374	3/4	1-1/2	3-1/4	1-11/16	1/2	1-1/4	2-7/8	7-1/16	6-5/8
	3	1-3/8	1-1/4-12	1-14	1-5/8	1.999	5/8	1-1/8	2-5/8	1-5/16	3/8	1	2-5/8	6-13/16	6-3/8
3-1/4	1 (STD)	1-3/8	1-1/4-12	1-14	1-5/8	1.999	5/8	1-1/8	2-1/2	1-5/16	1/4	7/8	2-3/4	7-11/16	7-1/8
	2	2	1-3/4-12	1-1/2-12	2-1/4	2.624	7/8	1-11/16	3-1/2	1-15/16	3/8	1-1/4	3-1/8	8-1/16	7-1/2
	3	1-3/4	1-1/2-12	1-1/4-12	2	2.374	3/4	1-1/2	3-1/8	1-11/16	3/8	1-1/8	3	7-15/16	7-3/8
4	1 (STD)	1-3/4	1-1/2-12	1-1/4-12	2	2.374	3/4	1-1/2	3	1-11/16	1/4	1	3	8-3/16	7-5/8
	2	2-1/2	2-1/4-12	1-7/8-12	3	3.124	1	2-1/16	4-3/8	2-3/8	3/8	1-3/8	3-3/8	8-9/16	8
	3	2	1-3/4-12	1-1/2-12	2-1/4	2.624	7/8	1-11/16	3-3/8	1-15/16	1/4	1-1/8	3-1/8	8-5/16	7-3/4
5	1 (STD)	2	1-3/4-12	1-1/2-12	2-1/4	2.624	7/8	1-11/16	3-3/8	1-15/16	1/4	1-1/8	3-1/8	9-1/16	8-1/4
	2	3-1/2	3-1/4-12	2-1/2-12	3-1/2	4.249	1	3	4-7/8	3-3/8	3/8	1-3/8	3-3/8	9-5/16	8-1/2
	3	2-1/2	2-1/4-12	1-7/8-12	3	3.124	1	2-1/16	4-3/8	2-3/8	3/8	1-3/8	3-3/8	9-5/16	8-1/2
	4	3	2-3/4-12	2-1/4-12	3-1/2	3.749	1	2-5/8	4-7/8	2-7/8	3/8	1-3/8	3-3/8	9-5/16	8-1/2
6	1 (STD)	2-1/2	2-1/4-12	1-7/8-12	3	3.124	1	2-1/16	4-1/4	2-3/8	1/4	1-1/4	3-1/2	10-1/2	9-5/8
	2	4	3-3/4-12	3-12	4	4.749	1	3-3/8	5-1/4	3-7/8	1/4	1-1/4	3-1/2	10-1/2	9-5/8
	3	3	2-3/4-12	2-1/4-12	3-1/2	3.749	1	2-5/8	4-3/4	2-7/8	1/4	1-1/4	3-1/2	10-1/2	9-5/8
	4	3-1/2	3-1/4-12	2-1/2-12	3-1/2	4.249	1	3	4-3/4	3-3/8	1/4	1-1/4	3-1/2	10-1/2	9-5/8

DIMENSIONES FINAL DE VASTAGO (VER TABLA-2B)



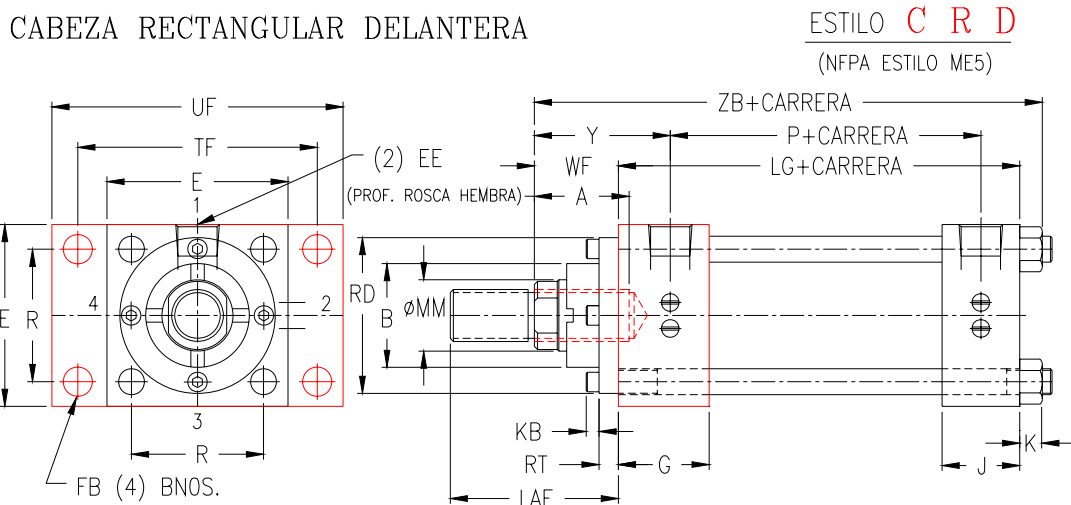
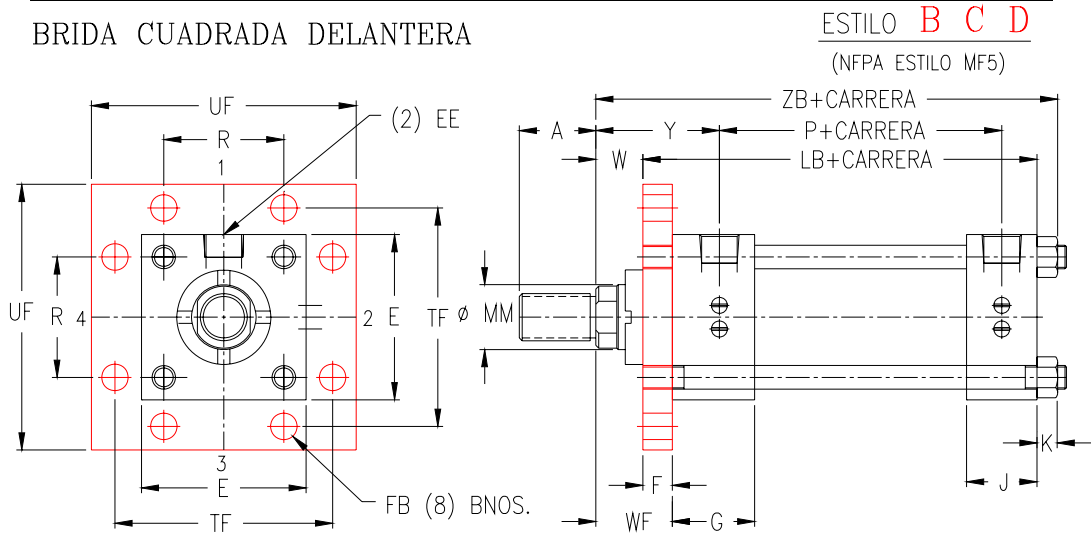
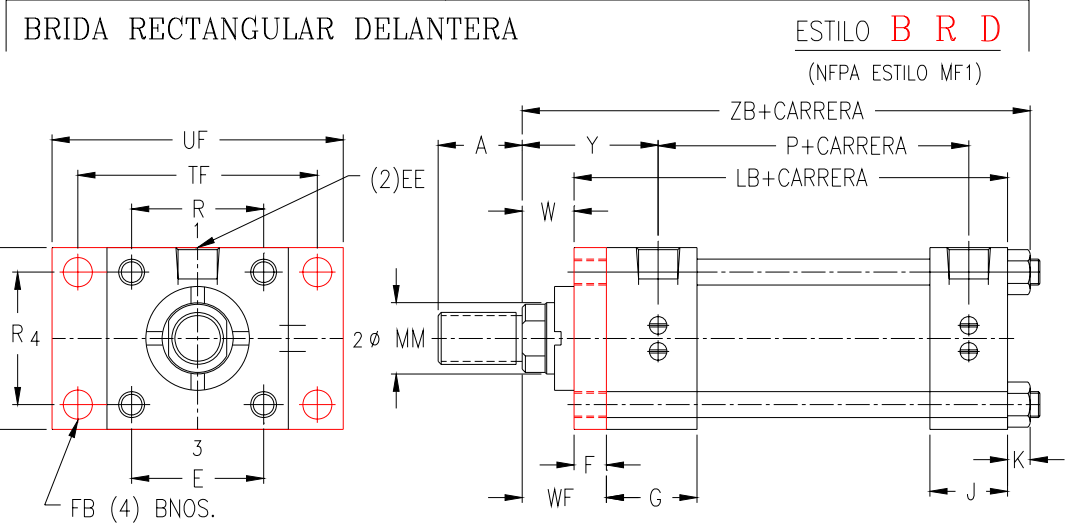


MONTAJE DE TIRANTES
DIAMETROS DE 1-1/2" A 6"

CILINDRO HIDRAULICO HDT

VER TABLA: 1A Y 3C

DIMENSIONES EXTERIORES DE MONTAJE



MONTAJE MARCADO CON ROJO



MONTAJE DE TIRANTES
DIAMETROS DE 1-1/2" A 6"

CILINDRO HIDRAULICO HDT

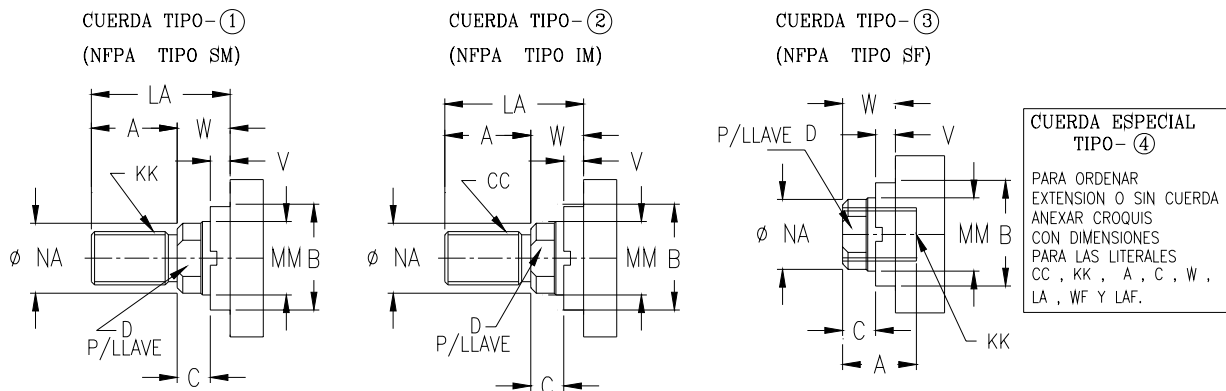
TABLA-1A DIMENSIONES EXTERIORES DE MONTAJE

DIAMETRO	E	EE	F	FB	G	J	K	R	TF	UF	+CARRERA		
		NPTF									LB	LG	P
1-1/2	2-1/2	1/2	3/8	7/16	1-3/4	1-1/2	3/8	1.630	3-7/16	4-1/4	5	4-5/8	2-7/8
2	3	1/2	5/8	9/16	1-3/4	1-1/2	7/16	2.050	4-1/8	5-1/8	5-1/4	4-5/8	2-7/8
2-1/2	3-1/2	1/2	5/8	9/16	1-3/4	1-1/2	7/16	2.550	4-5/8	5-5/8	5-3/8	4-3/4	3
3-1/4	4-1/2	3/4	3/4	11/16	2	1-3/4	9/16	3.250	5-7/8	7-1/8	6-1/4	5-1/2	3-1/2
4	5	3/4	7/8	11/16	2	1-3/4	9/16	3.820	6-3/8	7-5/8	6-5/8	5-3/4	3-3/4
5	6-1/2	3/4	7/8	15/16	2	1-3/4	13/16	4.950	8-3/16	9-3/4	7-1/8	6-1/4	4-1/4
6	7-1/2	1	1	1-1/16	2-1/4	2-1/4	7/8	5.730	9-7/16	11-1/4	8-3/8	7-3/8	4-7/8

TABLA-2B DIMENSIONES EXTERIORES FINAL DE VASTAGO

DIAMETRO	No. DE VAST	DIAM VAST MM	CUERDA		DIMENSIONES FINAL DE VASTAGO														WF	Y	+ CARRERA
			TIPO 2 CC	TIPO 1 Y 3 KK	A	B ^{+0.000 -0.002}	C	D	KB	LA	LAF	NA	V	W	RD	RT	ZB				
																		ZB			
1-1/2	1 (STD.)	5/8	1/2-20	7/16-20	3/4	1.124	3/8	1/2	0	1-3/8	1-3/4	9/16	1/4	5/8	2-1/8	3/8	1	2	6		
	2	1	7/8-14	3/4-16	1-1/8	1.499	1/2	7/8	0	2-1/8	2-1/2	15/16	1/2	1	2-1/2	3/8	1-3/8	2-3/8	6-3/8		
2	1 (STD.)	1	7/8-14	3/4-16	1-1/8	1.499	1/2	7/8	0	1-7/8	2-1/2	15/16	1/4	3/4	2-1/2	3/8	1-3/8	2-3/8	6-7/16		
	2	1-3/8	1-1/4-12	1-14	1-5/8	1.999	5/8	1-1/8	1/4	2-5/8	3-1/4	1-5/16	3/8	1	3	3/8	1-5/8	2-5/8	6-11/16		
2-1/2	1 (STD.)	1	7/8-14	3/4-16	1-1/8	1.499	1/2	7/8	0	1-7/8	2-1/2	15/16	1/4	3/4	2-1/2	3/8	1-3/8	2-3/8	6-9/16		
	2	1-3/4	1-1/2-12	1-1/4-12	2	2.374	3/4	1-1/2	1/4	3-1/4	3-7/8	1-11/16	1/2	1-1/4	3-1/2	3/8	1-7/8	2-7/8	7-1/16		
3-1/4	1 (STD.)	1-3/8	1-1/4-12	1-14	1-5/8	1.999	5/8	1-1/8	1/4	2-1/2	3-1/4	1-5/16	3/8	1	3	3/8	1-5/8	2-3/4	7-11/16		
	2	2	1-3/4-12	1-1/2-12	2-1/4	2.624	7/8	1-11/16	1/8	3-1/2	4-1/4	1-15/16	3/8	1-1/4	4	5/8	2	3-1/8	8-1/16		
4	1 (STD.)	1-3/4	1-1/2-12	1-1/4-12	2	2.374	3/4	1-1/2	1/4	3-1/8	3-7/8	1-11/16	3/8	1-1/8	3-1/2	3/8	1-7/8	3	7-15/16		
	2	2-1/2	2-1/4-12	1-7/8-12	3	3.124	1	2-1/16	1/4	4-3/8	5-1/2	2-3/8	3/8	1-3/8	4-1/2	5/8	2-1/4	3-3/8	8-9/16		
5	1 (STD.)	2	1-3/4-12	1-1/2-12	2-1/4	2.624	7/8	1-11/16	1/8	3-3/8	4-1/4	1-15/16	1/4	1-1/8	4	5/8	2	3-1/8	9-1/16		
	2	3-1/2	3-1/4-12	2-1/2-12	3-1/2	4.249	1	3	1/4	4-7/8	5-3/4	3-3/8	3/8	1-3/8	5-3/4	5/8	2-1/4	3-3/8	9-5/16		
6	1 (STD.)	2-1/2	2-1/4-12	1-7/8-12	3	3.124	1	2-1/16	1/4	4-7/8	5-3/4	2-7/8	3/8	1-3/8	5-1/4	5/8	2-1/4	3-3/8	9-5/16		
	2	4	3-3/4-12	3-12	4	4.749	1	3-3/8	1/4	5-1/4	6-1/4	3-7/8	1/4	1-1/4	6-1/2	3/4	2-1/4	3-1/2	10-1/2		
6	3	3	2-3/4-12	2-1/4-12	3-1/2	3.749	1	2-5/8	1/4	4-3/4	5-3/4	2-7/8	1/4	1-1/4	5-1/4	5/8	2-1/4	3-1/2	10-1/2		
	4	3-1/2	3-1/4-12	2-1/2-12	3-1/2	4.249	1	3	1/4	4-3/4	5-3/4	3-3/8	1/4	1-1/4	5-3/4	5/8	2-1/4	3-1/2	10-1/2		

DIMENSIONES FINAL DE VASTAGO (VER TABLA-2B)

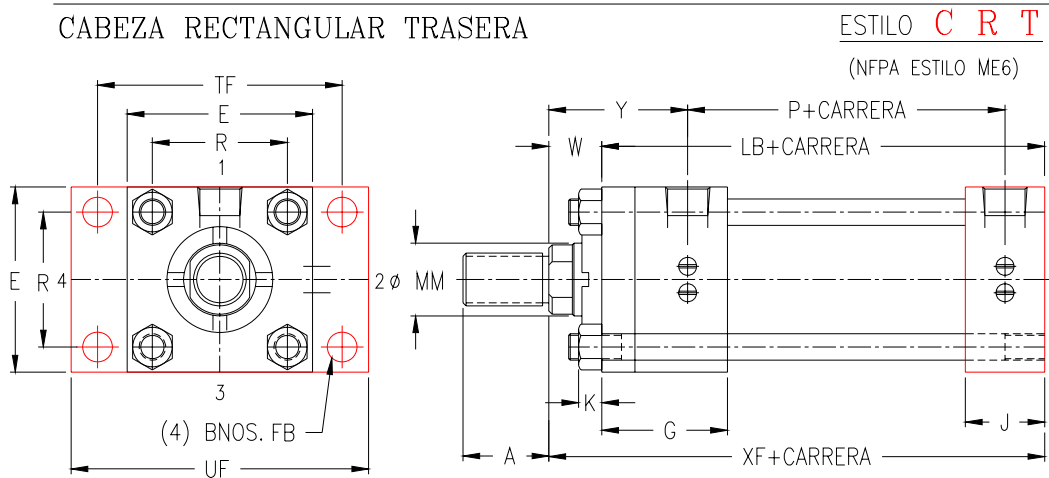
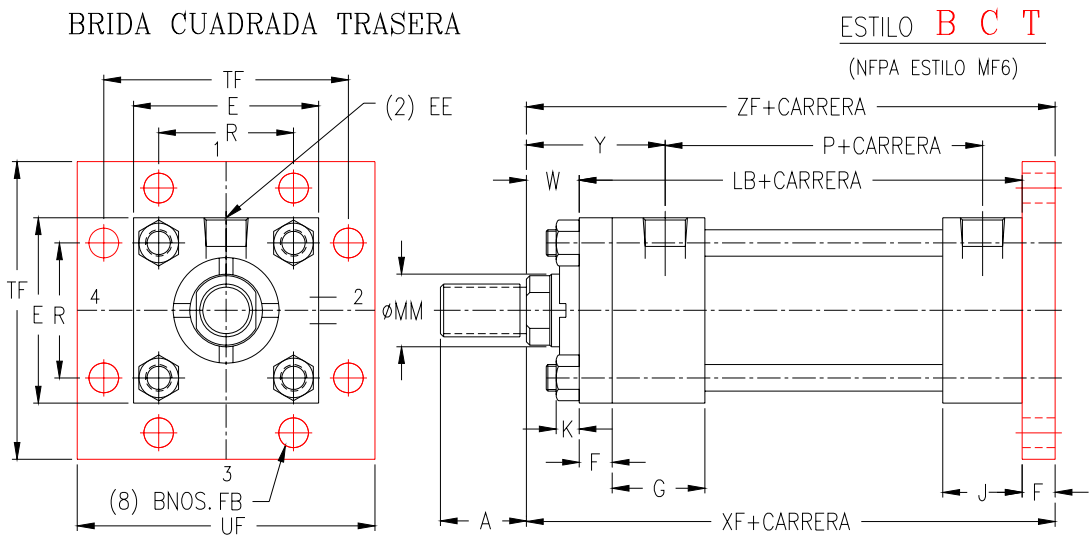
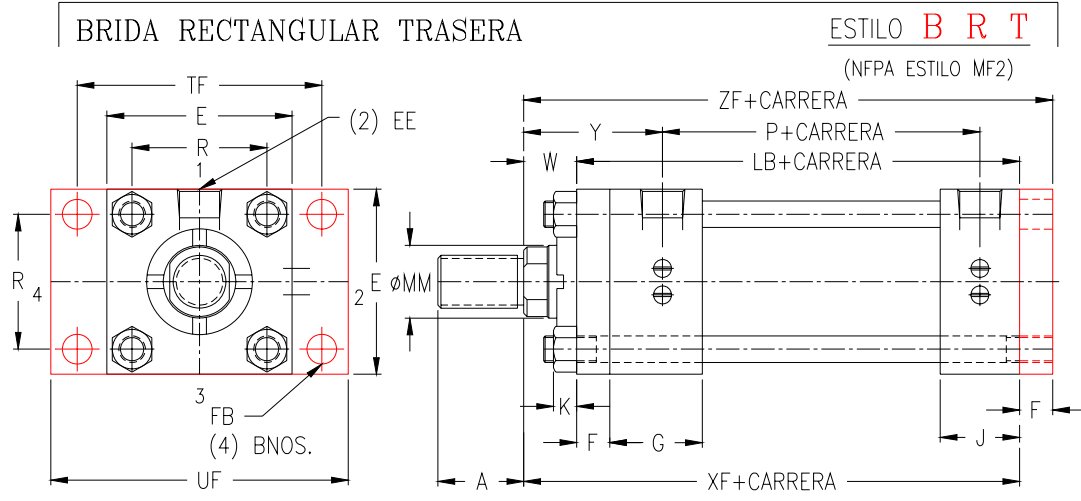




MONTAJE DE TIRANTES
DIAMETROS DE 1-1/2" A 6"

CILINDRO HIDRAULICO HDT

VER TABLA: 1A Y 3C DIMENSIONES EXTERIORES DE MONTAJE



MONTAJE MARCADO CON ROJO



MONTAJE DE TIRANTES
DIAMETROS DE 1-1/2" A 6"

CILINDRO HIDRAULICO HDT

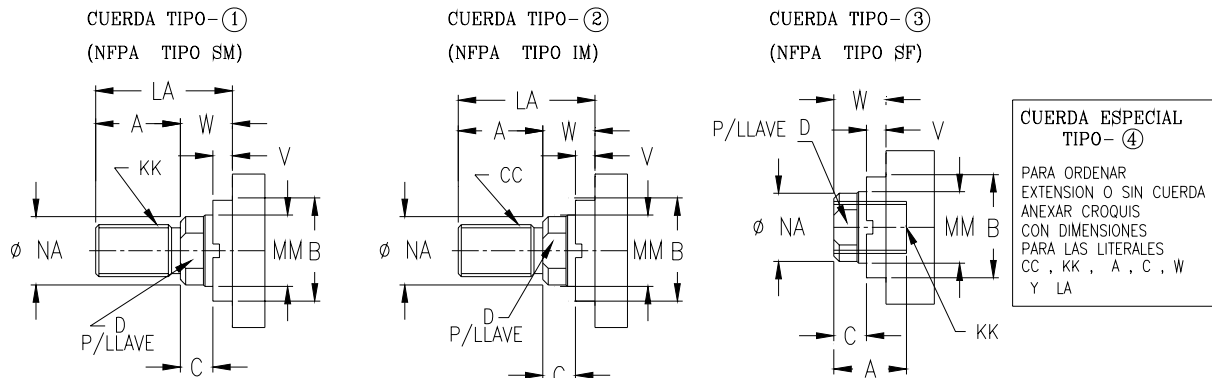
TABLA-1A DIMENSIONES EXTERIORES DE MONTAJE

DIAMETRO	E	EE	F	FB	G	J	K	R	TF	UF	+CARRERA	
		NPTF									LB	P
1-1/2	2-1/2	1/2	3/8	7/16	1-3/4	1-1/2	3/8	1.630	3-7/16	4-1/4	5	2-7/8
2	3	1/2	5/8	9/16	1-3/4	1-1/2	7/16	2.050	4-1/8	5-1/8	5-1/4	2-7/8
2-1/2	3-1/2	1/2	5/8	9/16	1-3/4	1-1/2	7/16	2.550	4-5/8	5-5/8	5-3/8	3
3-1/4	4-1/2	3/4	3/4	11/16	2	1-3/4	9/16	3.250	5-7/8	7-1/8	6-1/4	3-1/2
4	5	3/4	7/8	11/16	2	1-3/4	9/16	3.820	6-3/8	7-5/8	6-5/8	3-3/4
5	6-1/2	3/4	7/8	15/16	2	1-3/4	13/16	4.950	8-3/16	9-3/4	7-1/8	4-1/4
6	7-1/2	1	1	1-1/16	2-1/4	2-1/4	7/8	5.730	9-7/16	11-1/4	8-3/8	4-7/8

TABLA-2B DIMENSIONES EXTERIORES FINAL DE VASTAGO

DIAMETRO	No. DE VAST	DIAM VAST MM	CUERDA		DIMENSIONES FINAL DE VASTAGO								WF	Y	+ CARRERA	
			TIPO 2 CC	TIPO 1 Y 3 KK	A	^{+0.000} B _{-0.002}	C	D	LA	NA	V	W			XF	XP
			1-1/2	1 (STD.)	5/8	1/2-20	7/16-20	3/4	1.124	3/8	1/2	1-3/8			9/16	1/4
	2	1	7/8-14	3/4-16	1-1/8	1.499	1/2	7/8	2-1/8	15/16	1/2	1	1-3/8	2-3/8	6	6-3/8
	1 (STD.)	1	7/8-14	3/4-16	1-1/8	1.499	1/2	7/8	1-7/8	15/16	1/4	3/4	1-3/8	2-3/8	6	6-5/8
	2	1-3/8	1-1/4-12	1-14	1-5/8	1.999	5/8	1-1/8	2-5/8	1-5/16	3/8	1	1-5/8	2-5/8	6-1/4	6-7/8
	1 (STD.)	1	7/8-14	3/4-16	1-1/8	1.499	1/2	7/8	1-7/8	15/16	1/4	3/4	1-3/8	2-3/8	6-1/8	6-3/4
	2	1-3/4	1-1/2-12	1-1/4-12	2	2.374	3/4	1-1/2	3-1/4	1-11/16	1/2	1-1/4	1-7/8	2-7/8	6-5/8	7-1/4
	3	1-3/8	1-1/4-12	1-14	1-5/8	1.999	5/8	1-1/8	2-5/8	1-5/16	3/8	1	1-5/8	2-5/8	6-3/8	7
	1 (STD.)	1-3/8	1-1/4-12	1-14	1-5/8	1.999	5/8	1-1/8	2-1/2	1-5/16	1/4	7/8	1-5/8	2-3/4	7-1/8	7-7/8
	2	2	1-3/4-12	1-1/2-12	2-1/4	2.624	7/8	1-11/16	3-1/2	1-15/16	3/8	1-1/4	2	3-1/8	7-1/2	8-1/4
	3	1-3/4	1-1/2-12	1-1/4-12	2	2.374	3/4	1-1/2	3-1/8	1-11/16	3/8	1-1/8	1-7/8	3	7-3/8	8-1/8
	1 (STD.)	1-3/4	1-1/2-12	1-1/4-12	2	2.374	3/4	1-1/2	3	1-11/16	1/4	1	1-7/8	3	7-5/8	8-1/2
	2	2-1/2	2-1/4-12	1-7/8-12	3	3.124	1	2-1/16	4-3/8	2-3/8	3/8	1-3/8	2-1/4	3-3/8	8	8-7/8
	3	2	1-3/4-12	1-1/2-12	2-1/4	2.624	7/8	1-11/16	3-3/8	1-15/16	1/4	1-1/8	2	3-1/8	7-3/4	8-5/8
	1 (STD.)	2	1-3/4-12	1-1/2-12	2-1/4	2.624	7/8	1-11/16	3-3/8	1-15/16	1/4	1-1/8	2	3-1/8	8-1/4	9-1/8
	2	3-1/2	3-1/4-12	2-1/2-12	3-1/2	4.249	1	3	4-7/8	3-3/8	3/8	1-3/8	2-1/4	3-3/8	8-1/2	9-3/8
	3	2-1/2	2-1/4-12	1-7/8-12	3	3.124	1	2-1/16	4-3/8	2-3/8	3/8	1-3/8	2-1/4	3-3/8	8-1/2	9-3/8
	4	3	2-3/4-12	2-1/4-12	3-1/2	3.749	1	2-5/8	4-7/8	2-7/8	3/8	1-3/8	2-1/4	3-3/8	8-1/2	9-3/8
	1 (STD.)	2-1/2	2-1/4-12	1-7/8-12	3	3.124	1	2-1/16	4-1/4	2-3/8	1/4	1-1/4	2-1/4	3-1/2	9-5/8	10-5/8
	2	4	3-3/4-12	3-12	4	4.749	1	3-3/8	5-1/4	3-7/8	1/4	1-1/4	2-1/4	3-1/2	9-5/8	10-5/8
	3	3	2-3/4-12	2-1/4-12	3-1/2	3.749	1	2-5/8	4-3/4	2-7/8	1/4	1-1/4	2-1/4	3-1/2	9-5/8	10-5/8
	4	3-1/2	3-1/4-12	2-1/2-12	3-1/2	4.249	1	3	4-3/4	3-3/8	1/4	1-1/4	2-1/4	3-1/2	9-5/8	10-5/8

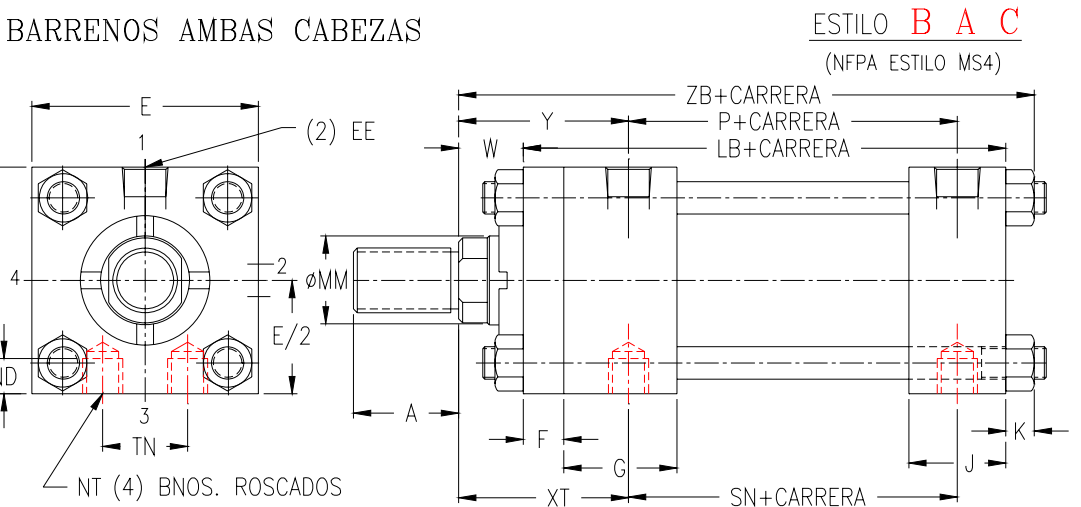
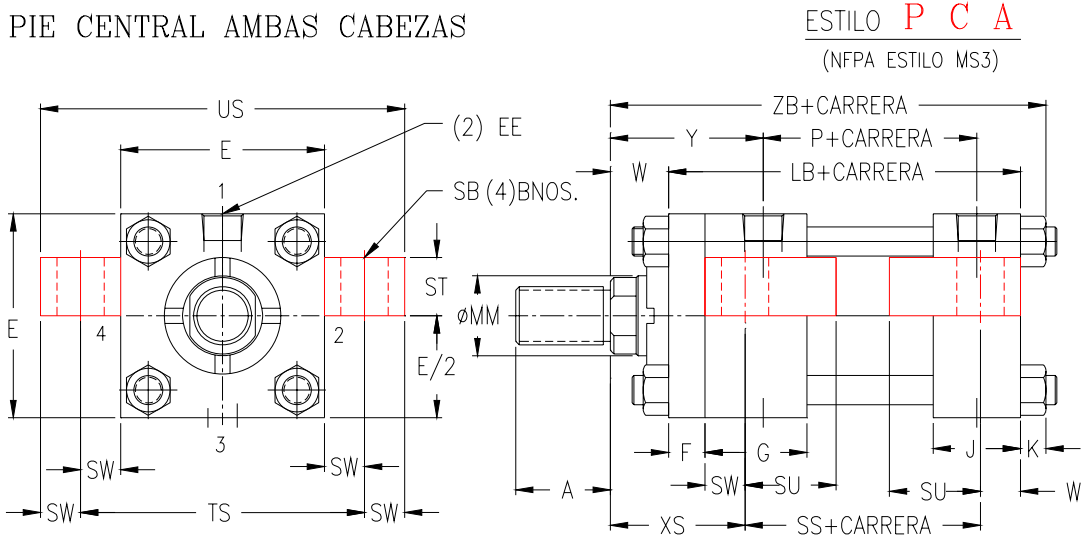
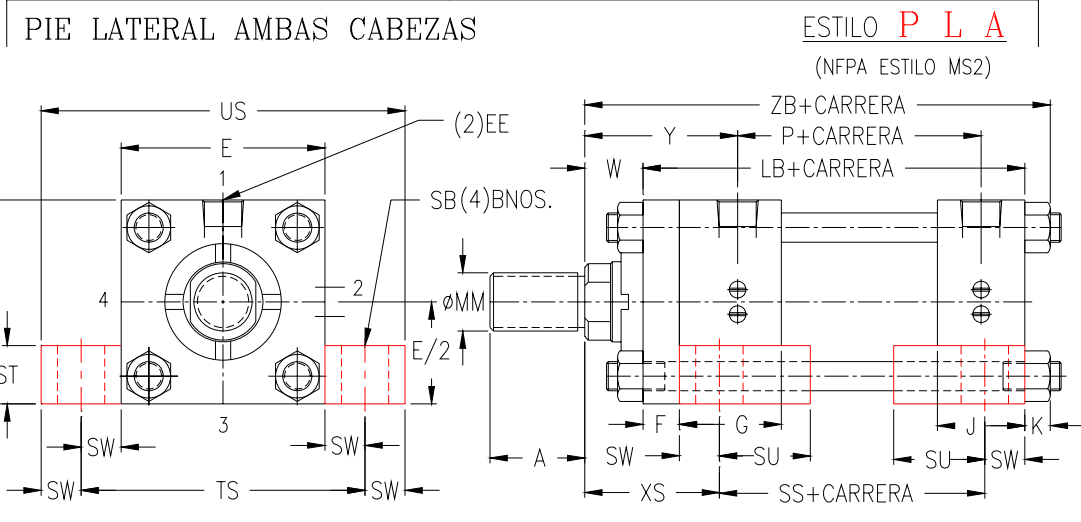
DIMENSIONES FINAL DE VASTAGO (VER TABLA-2B)





MONTAJE DE TIRANTES CILINDRO HIDRAULICO HDT DIAMETROS DE 1-1/2" A 6"

VER TABLA: 1A Y 3C DIMENSIONES EXTERIORES DE MONTAJE



MONTAJE MARCADO CON ROJO



MONTAJE DE TIRANTES
DIAMETROS DE 1-1/2" A 6"

CILINDRO HIDRAULICO HDT

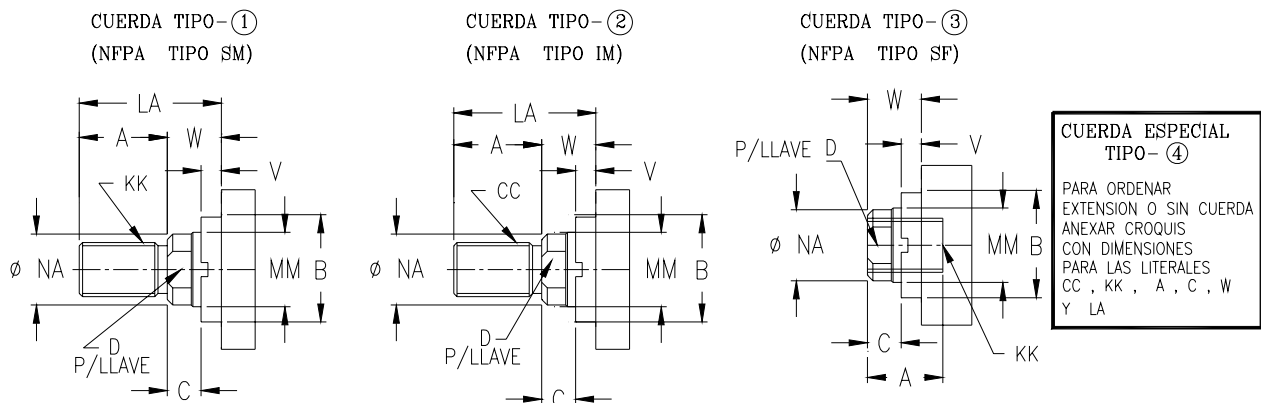
TABLA-1A DIMENSIONES EXTERIORES DE MONTAJE

DIAMETRO	E	EE NPTF	SB	F'	G	J	K	NT	ST	SU	SW	TN	TS	US	+CARRERA			
															LB	SN	P	SS
1-1/2	2-1/2	1/2	3/8-16	3/8	1-3/4	1-1/2	3/8	7/16	1/2	15/16	3/8	3/4	3-1/4	4	5	2-7/8	2-7/8	3-7/8
2	3	1/2	1/3-13	5/8	1-3/4	1-1/2	7/16	9/16	3/4	1-1/4	1/2	15/16	4	5	5-1/4	2-7/8	2-7/8	3-5/8
2-1/2	3-1/2	1/2	5/8-11	5/8	1-3/4	1-1/2	7/16	13/16	1	1-9/16	11/16	15/16	4-7/8	6-1/4	5-3/8	3	3	3-3/8
3-1/4	4-1/2	3/4	3/4-10	3/4	2	1-3/4	9/16	13/16	1	1-9/16	11/16	1-1/2	5-7/8	7-1/4	6-1/4	3-1/2	3-1/2	4-1/8
4	5	3/4	1-8	7/8	2	1-3/4	9/16	11/16	1-1/4	2	7/8	2-1/16	6-3/4	8-1/2	6-5/8	3-3/4	3-3/4	4
5	6-1/2	3/4	1-8	7/8	2	1-3/4	13/16	11/16	1-1/4	2	7/8	2-15/16	8-1/4	10	7-1/8	4-1/4	4-1/4	4-1/2
6	7-1/2	1	1-1/4-7	1	2-1/4	2-1/4	7/8	15/16	1-1/2	2-1/2	1-1/8	3-5/16	9-3/4	12	8-3/8	5-1/8	4-7/8	5-1/8

TABLA-2B DIMENSIONES EXTERIORES FINAL DE VASTAGO

DIAMETRO	No. DE VAST	DIAM VAST MM	CUERDA		DIMENSIONES FINAL DE VASTAGO										ND	XS	XT	Y	+ CARRERA ZB
			TIPO 2 CC	TIPO 1 Y 3 KK	A	B ^{+0.000} _{-0.002}	C	D	LA	NA	V	W							
1-1/2	1 (STD.)	5/8	1/2-20	7/16-20	3/4	1.124	3/8	1/2	1-3/8	9/16	1/4	5/8	3/8	1-3/8	2	2	6		
	2	1	7/8-14	3/4-16	1-1/8	1.499	1/2	7/8	2-1/8	15/16	1/2	1	3/8	1-3/4	2-3/8	2-3/8	6-3/8		
2	1 (STD.)	1	7/8-14	3/4-16	1-1/8	1.499	1/2	7/8	1-7/8	15/16	1/4	3/4	7/16	1-7/8	2-3/8	2-3/8	6-7/16		
	2	1-3/8	1-1/4-12	1-14	1-5/8	1.999	5/8	1-1/8	2-5/8	1-5/16	3/8	1	7/16	2-1/8	2-5/8	2-5/8	6-11/16		
2-1/2	1 (STD.)	1	7/8-14	3/4-16	1-1/8	1.499	1/2	7/8	1-7/8	15/16	1/4	3/4	1/2	2-1/16	2-3/8	2-3/8	6-9/16		
	2	1-3/4	1-1/2-12	1-1/4-12	2	2.374	3/4	1-1/2	3-1/4	1-11/16	1/2	1-1/4	1/2	2-9/16	2-7/8	2-7/8	7-1/16		
	3	1-3/8	1-1/4-12	1-14	1-5/8	1.999	5/8	1-1/8	2-5/8	1-5/16	3/8	1	1/2	2-5/16	2-5/8	2-5/8	6-13/16		
3-1/4	1 (STD.)	1-3/8	1-1/4-12	1-14	1-5/8	1.999	5/8	1-1/8	2-1/2	1-5/16	1/4	7/8	11/16	2-5/16	2-3/4	2-3/4	7-11/16		
	2	2	1-3/4-12	1-1/2-12	2-1/4	2.624	7/8	1-11/16	3-1/2	1-15/16	3/8	1-1/4	11/16	2-11/16	3-1/8	3-1/8	8-1/16		
4	1 (STD.)	1-3/4	1-1/2-12	1-1/4-12	2	2.374	3/4	1-1/2	3-1/8	1-11/16	3/8	1-1/8	11/16	2-9/16	3	3	7-15/16		
	2	2-1/2	2-1/4-12	1-7/8-12	3	3.124	1	2-1/16	4-3/8	2-3/8	3/8	1-3/8	11/16	3-1/8	3-3/8	3-3/8	8-9/16		
	3	2	1-3/4-12	1-1/2-12	2-1/4	2.624	7/8	1-11/16	3-3/8	1-15/16	1/4	1-1/8	11/16	2-7/8	3-1/8	3-1/8	8-5/16		
5	1 (STD.)	2	1-3/4-12	1-1/2-12	2-1/4	2.624	7/8	1-11/16	3-3/8	1-15/16	1/4	1-1/8	1	2-7/8	3-1/8	3-1/8	9-1/16		
	2	3-1/2	3-1/4-12	2-1/2-12	3-1/2	4.249	1	3	4-7/8	3-3/8	3/8	1-3/8	1	3-1/8	3-3/8	3-3/8	9-5/16		
	3	2-1/2	2-1/4-12	1-7/8-12	3	3.124	1	2-1/16	4-3/8	2-3/8	3/8	1-3/8	1	3-1/8	3-3/8	3-3/8	9-5/16		
	4	3	2-3/4-12	2-1/4-12	3-1/2	3.749	1	2-5/8	4-7/8	2-7/8	3/8	1-3/8	1	3-1/8	3-3/8	3-3/8	9-5/16		
6	1 (STD.)	2-1/2	2-1/4-12	1-7/8-12	3	3.124	1	2-1/16	4-1/4	2-3/8	1/4	1-1/4	1-1/4	3-3/8	3-1/2	3-1/2	10-1/2		
	2	4	3-3/4-12	3-12	4	4.749	1	3-3/8	5-1/4	3-7/8	1/4	1-1/4	1-1/4	3-3/8	3-1/2	3-1/2	10-1/2		
	3	3	2-3/4-12	2-1/4-12	3-1/2	3.749	1	2-5/8	4-3/4	2-7/8	1/4	1-1/4	1-1/4	3-3/8	3-1/2	3-1/2	10-1/2		
	4	3-1/2	3-1/4-12	2-1/2-12	3-1/2	4.249	1	3	4-3/4	3-3/8	1/4	1-1/4	1-1/4	3-3/8	3-1/2	3-1/2	10-1/2		

DIMENSIONES FINAL DE VASTAGO (VER TABLA-2B)





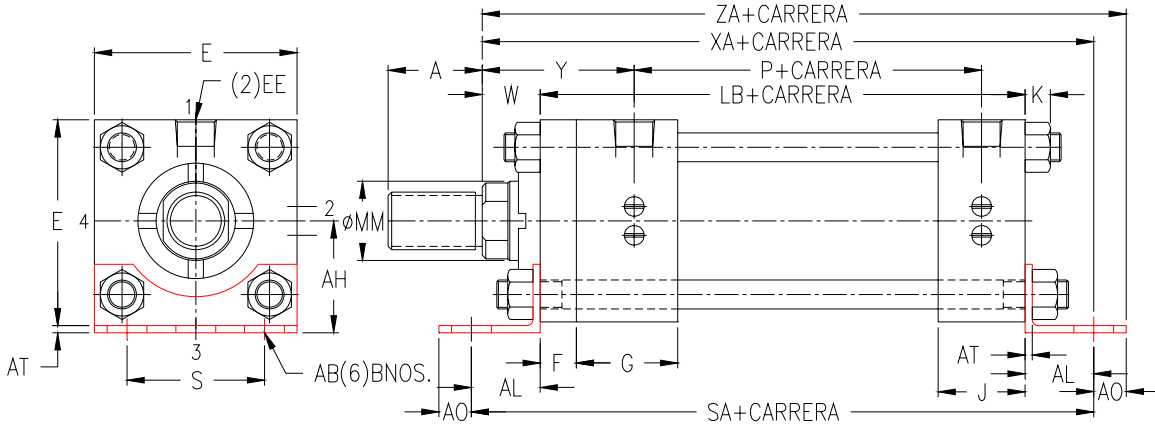
MONTAJE DE TIRANTES
DIAMETROS DE 1-1/2" A 6"

CILINDRO HIDRAULICO HDT

VER TABLA: 1A Y 3C DIMENSIONES EXTERIORES DE MONTAJE

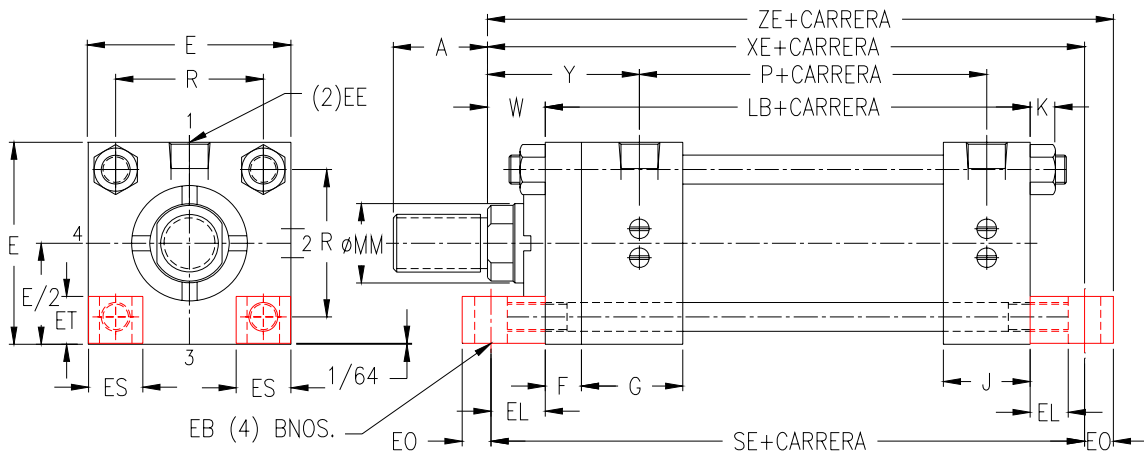
ANGULOS FRONTALES AMBAS CABEZAS

ESTILO **A F A**
(NFPA ESTILO MS1)



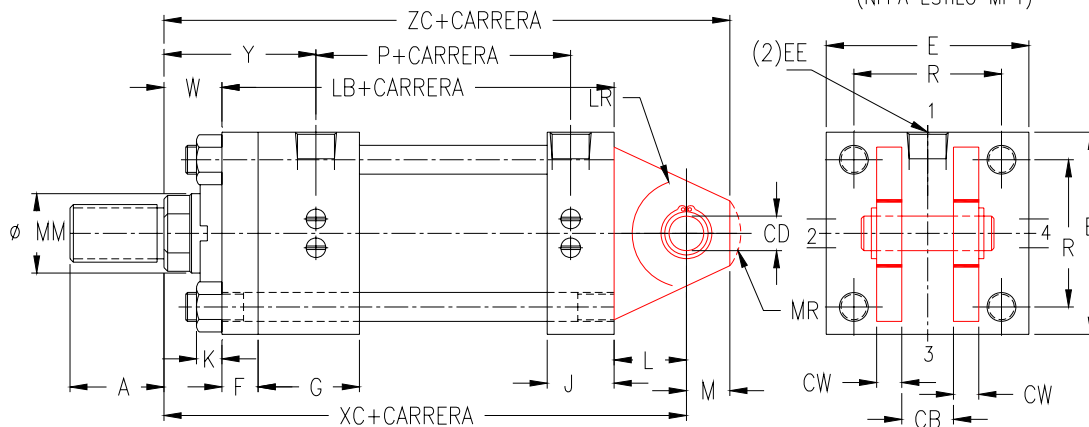
PIE FRONTALES AMBAS CABEZAS

ESTILO **P F A**
(NFPA ESTILO MS7)



OREJA HEMBRA FIJO CABEZA TRASERA

ESTILO **E F T**
(NFPA ESTILO MP1)



MONTAJE MARCADO CON ROJO



MONTAJE DE TIRANTES
DIAMETROS DE 1-1/2 A 6

CILINDRO HIDRAULICO HDT

TABLA-1A

DIMENSIONES EXTERIORES DE MONTAJE

DIAMETRO	AB	AH	AL	AO	AT	+0.000 -0.002 CD	CW	E	EB	EE NPTF	EL	EO	ES	ET	F	G	J	K	L	LR	M	MR	R	S	+ CARRERA			
																									LB	P	SA	SE
1-1/2	7/16	1-3/8	1	3/8	1/8	0.500	1/2	2-1/2	7/16	1/2	7/8	3/8	7/8	3/4	3/8	1-3/4	1-1/2	3/8	3/4	9/16	1/2	5/8	1.630	1-3/4	5	2-7/8	7	6-3/4
2	9/16	1-11/16	1-1/4	1/2	1/8	0.750	5/8	3	9/16	1/2	15/16	1/2	15/16	13/16	5/8	1-3/4	1-1/2	7/16	1-1/4	1	3/4	15/16	2.050	2	5-1/4	2-7/8	7-3/4	7-1/8
2-1/2	11/16	1-15/16	1-3/16	9/16	1/8	0.750	5/8	3-1/2	9/16	1/2	15/16	1/2	15/16	13/16	5/8	1-3/4	1-1/2	7/16	1-1/4	15/16	3/4	15/16	2.550	2-3/8	5-3/8	3	7-3/4	7-1/4
3-1/4	13/16	2-9/16	1-13/16	11/16	1/4	1.000	3/4	4-1/2	11/16	3/4	1-1/8	5/8	1-1/4	1-1/8	3/4	2	1-3/4	9/16	1-1/2	1-1/4	1	13/16	3.250	3-1/8	6-1/4	3-1/2	9-7/8	8-1/2
4	1-1/16	2-13/16	2-1/8	7/8	1/4	1.375	1	5	15/16	3/4	1-1/8	5/8	1-1/4	1-1/16	7/8	2	1-3/4	9/16	2-1/8	1-3/4	1-3/8	1-5/8	3.820	3-1/4	6-5/8	3-3/4	10-7/8	8-7/8
5	1-1/16	3-11/16	2-1/8	7/8	5/16	1.750	1-1/4	6-1/2	1-1/16	3/4	1-1/2	3/4	1-1/2	1-7/16	7/8	2	1-3/4	13/16	2-1/4	2-1/16	1-3/8	2-1/8	4.950	4-3/4	7-1/8	4-1/4	11-3/8	10-1/8
6	1-5/16	4-1/4	2-7/16	1-1/16	3/8	2.000	1-1/4	7-1/2	1-3/16	1	1-11/16	7/8	1-3/4	1-5/8	1	2-1/4	2-1/4	7/8	2-1/2	2-5/16	2	2-3/8	5.730	5-3/8	8-3/8	4-7/8	13-1/4	11-3/4

TABLA-2B

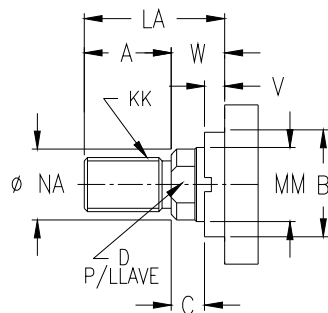
DIMENSIONES EXTERIORES FINAL DE VASTAGO

TABLA-3C

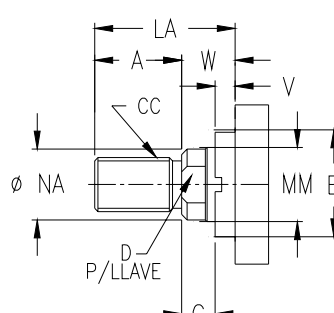
DIAMETRO	No. DE VAST MM	DIAM VAST MM	CUERDA		DIMENSIONES FINAL DE VASTAGO								+ CARRERA						
			TIPO 2 CC	TIPO 1 Y 3 KK	A	+0.000 -0.002 B	C	D	LA	NA	V	W	Y	XA	XC	XE	ZA	ZC	ZE
1-1/2	1 (STD.)	5/8	1/2-20	7/16-20	3/4	1.124	3/8	1/2	1-3/8	9/16	1/4	5/8	2	6-5/8	6-3/8	6-1/2	7	6-7/8	6-7/8
	2	1	7/8-14	3/4-16	1-1/8	1.499	1/2	7/8	2-1/8	15/16	1/2	1	2-3/8	7	6-3/4	6-7/8	7-3/8	7-1/4	7-1/4
2	1 (STD.)	1	7/8-14	3/4-16	1-1/8	1.499	1/2	7/8	1-7/8	15/16	1/4	3/4	2-3/8	7-1/4	7-1/4	6-15/16	7-3/4	8	7-7/16
	2	1-3/8	1-1/4-12	1-14	1-5/8	1.999	5/8	1-1/8	2-5/8	1-5/16	3/8	1	2-5/8	7-1/2	7-1/2	7-3/16	8	8-1/4	7-11/16
2-1/2	1 (STD.)	1	7/8-14	3/4-16	1-1/8	1.499	1/2	7/8	1-7/8	15/16	1/4	3/4	2-3/8	7-5/16	7-3/8	7-1/16	7-7/8	8-1/8	7-9/16
	2	1-3/4	1-1/2-12	1-1/4-12	2	2.374	3/4	1-1/2	3-1/4	1-11/16	1/2	1-1/4	2-7/8	7-13/16	7-7/8	7-9/16	8-3/8	8-5/8	8-1/16
	3	1-3/8	1-1/4-12	1-14	1-5/8	1.999	5/8	1-1/8	2-5/8	1-5/16	3/8	1	2-5/8	7-9/16	7-5/8	7-5/16	8-1/8	8-3/8	7-13/16
3-1/4	1 (STD.)	1-3/8	1-1/4-12	1-14	1-5/8	1.999	5/8	1-1/8	2-1/2	1-5/16	1/4	7/8	2-3/4	8-15/16	8-5/8	8-1/4	9-5/8	9-5/8	8-7/8
	2	2	1-3/4-12	1-1/2-12	2-1/4	2.624	7/8	1-11/16	3-1/2	1-15/16	3/8	1-1/4	3-1/8	9-5/16	9	8-5/8	10	10	9-1/4
	3	1-3/4	1-1/2-12	1-1/4-12	2	2.374	3/4	1-1/2	3-1/8	1-11/16	3/8	1-1/8	3	9-3/16	8-7/8	8-1/2	9-7/8	9-7/8	9-1/8
4	1 (STD.)	1-3/4	1-1/2-12	1-1/4-12	2	2.374	3/4	1-1/2	3	1-11/16	1/4	1	3	9-3/4	9-3/4	8-3/4	10-5/8	11-1/8	9-3/8
	2	2-1/2	2-1/4-12	1-7/8-12	3	3.124	1	2-1/16	4-1/8	2-3/8	3/8	1-3/8	3-3/8	10-1/8	10-1/8	9-1/8	11	11-1/2	9-3/4
	3	2	1-3/4-12	1-1/2-12	2-1/4	2.624	7/8	1-11/16	3-3/8	1-15/16	1/4	1-1/8	3-1/8	9-7/8	9-7/8	8-7/8	10-3/4	11-1/4	9-1/2
5	1 (STD.)	2	1-3/4-12	1-1/2-12	2-1/4	2.624	7/8	1-11/16	3-3/8	1-15/16	1/4	1-1/8	3-1/8	10-3/8	10-1/2	9-3/4	11-1/4	12-1/4	10-1/2
	2	3-1/2	3-1/4-12	2-1/2-12	3-1/2	4.249	1	3	4-7/8	3-3/8	3/8	1-3/8	3-3/8	10-5/8	10-3/4	10	11-1/2	12-1/2	10-3/4
	3	2-1/2	2-1/4-12	1-7/8-12	3	3.124	1	2-1/16	4-3/8	2-3/8	3/8	1-3/8	3-3/8	10-5/8	10-3/4	10	11-1/2	12-1/2	10-3/4
	4	3	2-3/4-12	2-1/4-12	3-1/2	3.749	1	2-5/8	4-7/8	2-7/8	3/8	1-3/8	3-3/8	10-5/8	10-3/4	10	11-1/2	12-1/2	10-3/4
6	1 (STD.)	2-1/2	2-1/4-12	1-7/8-12	3	3.124	1	2-1/16	4-1/4	2-3/8	1/4	1-1/4	3-1/2	12-1/16	12-1/8	11-5/16	13-1/8	14-1/8	12-3/16
	2	4	3-3/4-12	3-12	4	4.749	1	3-3/8	5-1/4	3-7/8	1/4	1-1/4	3-1/2	12-1/16	12-1/8	11-5/16	13-1/8	14-1/8	12-3/16
	3	3	2-3/4-12	2-1/4-12	3-1/2	3.749	1	2-5/8	4-3/4	2-7/8	1/4	1-1/4	3-1/2	12-1/16	12-1/8	11-5/16	13-1/8	14-1/8	12-3/16
	4	3-1/2	3-1/4-12	2-1/2-12	3-1/2	4.249	1	3	4-3/4	3-3/8	1/4	1-1/4	3-1/2	12-1/16	12-1/8	11-5/16	13-1/8	14-1/8	12-3/16

DIMENSIONES FINAL DE VASTAGO (VER TABLA-2B)

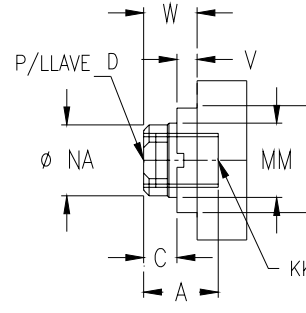
CUERDA TIPO-①
(NPPA TIPO SM)



CUERDA TIPO-②
(NPPA TIPO IM)



CUERDA TIPO-③
(NPPA TIPO SF)



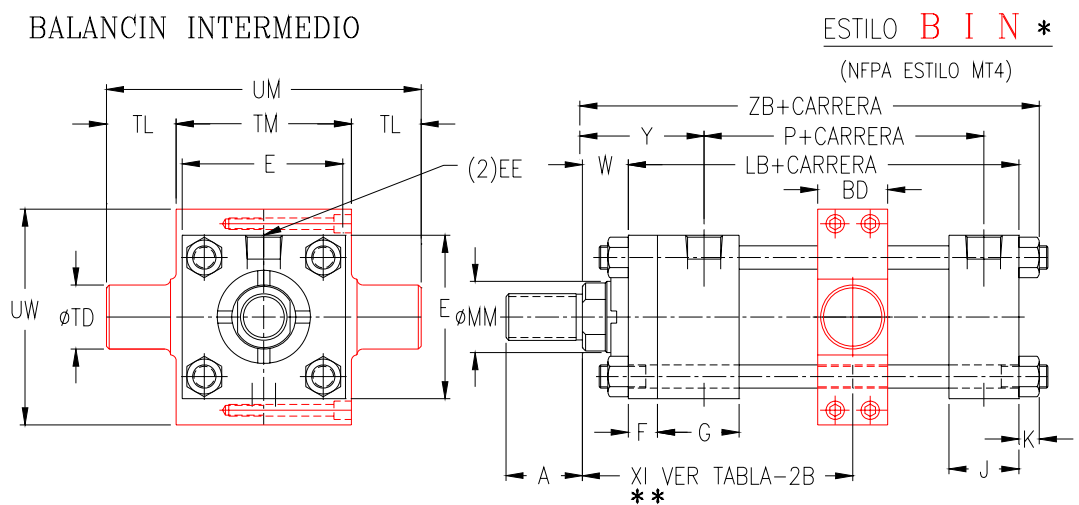
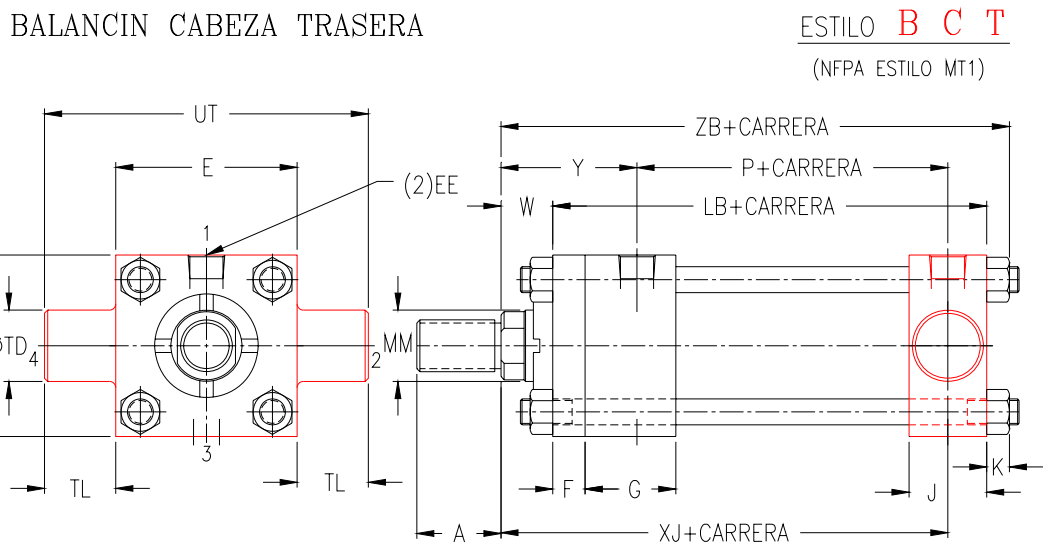
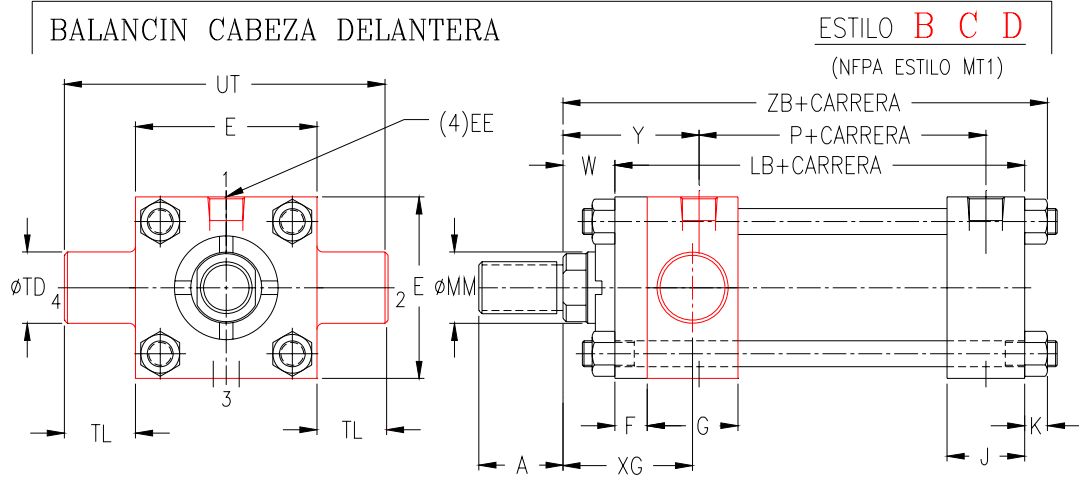
CUERDA ESPECIAL
TIPO-④
PARA ORDENAR
EXTENSION O SIN CUERDA
ANEXAR CROQUIS
CON DIMENSIONES
PARA LAS LITERALES
CC, KK, A, C, W
Y LA



MONTAJE DE TIRANTES
DIÁMETROS DE 1-1/2" A 6"

CILINDRO HIDRAULICO HDT

VER TABLA: 1A Y 3C DIMENSIONES EXTERIORES DE MONTAJE



MONTAJE MARCADO CON ROJO



MONTAJE DE TIRANTES
DIAMETROS DE 1-1/2" A 6"

CILINDRO HIDRAULICO HDT

TABLA-1A DIMENSIONES EXTERIORES DE MONTAJE

DIAMETRO	DB	E	EE		F	G	J	K	TD ^{+0.000} _{-0.001}	TL	TM	UM	UT	UW	+CARRERA	
			NPTF	SAE											LB	P
1-1/2	1-1/4	2-1/2	1/2	10	3/8	1-3/4	1-1/2	3/8	1.000	1	3	5	4-1/2	3-3/8	5	2-7/8
2	1-1/2	3	1/2	10	5/8	1-3/4	1-1/2	7/16	1.375	1-3/8	3-1/2	6-1/4	5-3/4	4-1/8	5-1/4	2-7/8
2-1/2	1-1/2	3-1/2	1/2	10	5/8	1-3/4	1-1/2	7/16	1.375	1-3/8	4	6-3/4	6-1/4	4-5/8	5-3/8	3
3-1/4	2	4-1/2	3/4	12	3/4	2	1-3/4	9/16	1.750	1-3/4	5	8-1/2	8	5-13/16	6-1/4	3-1/2
4	2	5	3/4	12	7/8	2	1-3/4	9/16	1.750	1-3/4	5-1/2	9	8-1/2	6-3/8	6-5/8	3-3/4
5	2	6-1/2	3/4	12	7/8	2	1-3/4	13/16	1.750	1-3/4	7	13-1/2	10	7-3/4	7-1/8	4-1/4
6	3	7-1/2	1	16	1	2-1/4	2-1/4	7/8	2.000	2	8-1/2	12-1/2	11-1/2	10-3/8	8-3/8	4-7/8

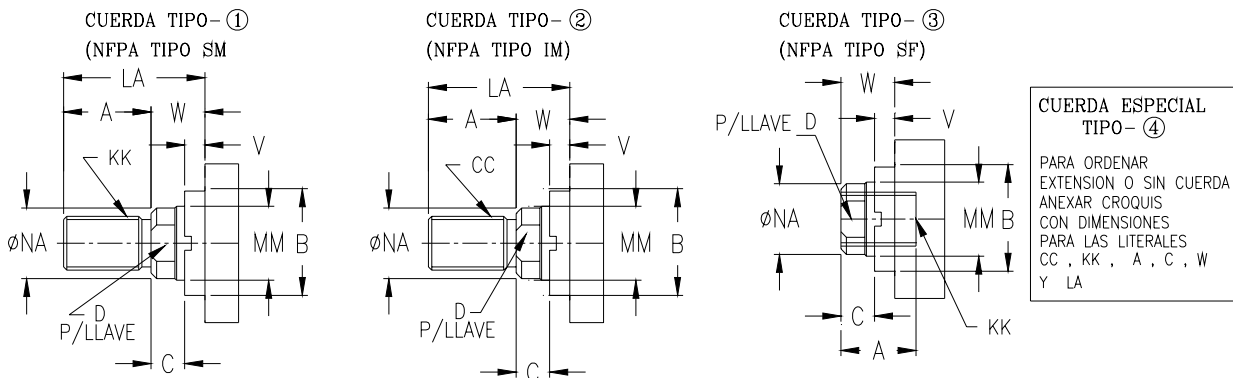
* PARA EL MONTAJE TIPO (BIN) (NFPA TIPO MT4) LA CARRERA MINIMA ES DE 1/4"

TABLA-2B DIMENSIONES EXTERIORES FINAL DE VASTAGO

DIAMETRO	No. DE VAST	DIAM VAST MM	CUERDA		DIMENSIONES FINAL DE VASTAGO								XG	MINIMO ** XI	Y	+ CARRERA	
			TIPO 2 CC	TIPO 1 Y 3 KK	A	B ^{+0.000} _{-0.002}	C	D	LA	NA	V	W				XJ	ZB
1-1/2	1 (STD.)	5/8	1/2-20	7/16-20	3/4	1.124	3/8	1/2	1-3/8	9/16	1/4	5/8	1-7/8	3-7/16	2	4-7/8	6
	2	1	7/8-14	3/4-16	1-1/8	1.499	1/2	7/8	2-1/8	15/16	1/2	1	2-1/4	3-13/16	2-3/8	5-1/4	6-3/8
2	1 (STD.)	1	7/8-14	3/4-16	1-1/8	1.499	1/2	7/8	1-7/8	15/16	1/4	3/4	2-1/4	3-15/16	2-3/8	5-1/4	6-7/16
	2	1-3/8	1-1/4-12	1-14	1-5/8	1.999	5/8	1-1/8	2-5/8	1-5/16	3/8	1	2-1/2	4-3/16	2-5/8	5-1/2	6-11/16
2-1/2	1 (STD.)	1	7/8-14	3/4-16	1-1/8	1.499	1/2	7/8	1-7/8	15/16	1/4	3/4	2-1/4	3-15/16	2-3/8	5-3/8	6-9/16
	2	1-3/4	1-1/2-12	1-1/4-12	2	2.374	3/4	1-1/2	3-1/4	1-11/16	1/2	1-1/4	2-3/4	4-7/16	2-7/8	5-7/8	7-1/16
	3	1-3/8	1-1/4-12	1-14	1-5/8	1.999	5/8	1-1/8	2-5/8	1-5/16	3/8	1	2-1/2	4-13/16	2-5/8	5-5/8	6-13/16
3-1/4	1 (STD.)	1-3/8	1-1/4-12	1-14	1-5/8	1.999	5/8	1-1/8	2-1/2	1-5/16	1/4	7/8	2-5/8	4-11/16	2-3/4	6-1/4	7-11/16
	2	2	1-3/4-12	1-1/2-12	2-1/4	2.624	7/8	1-11/16	3-1/2	1-15/16	3/8	1-1/4	3	5-1/16	3-1/8	6-5/8	8-1/16
4	1 (STD.)	1-3/4	1-1/2-12	1-1/4-12	2	2.374	3/4	1-1/2	3	1-11/16	1/4	1	2-7/8	4-15/16	3	6-1/2	7-15/16
	2	2-1/2	2-1/4-12	1-7/8-12	3	3.124	1	2-1/16	4-3/8	2-3/8	3/8	1-3/8	3-1/4	5-5/16	3-3/8	7-1/8	8-9/16
	3	2	1-3/4-12	1-1/2-12	2-1/4	2.624	7/8	1-11/16	3-3/8	1-15/16	1/4	1-1/8	3	5-1/16	3-1/8	8-7/8	8-5/16
5	1 (STD.)	2	1-3/4-12	1-1/2-12	2-1/4	2.624	7/8	1-11/16	3-3/8	1-15/16	1/4	1-1/8	3	5-1/16	3-1/8	7-3/8	9-1/16
	2	3-1/2	3-1/4-12	2-1/2-12	3-1/2	4.249	1	3	4-7/8	3-3/8	3/8	1-3/8	3-1/4	5-5/16	3-3/8	7-5/8	9-5/16
	3	2-1/2	2-1/4-12	1-7/8-12	3	3.124	1	2-1/16	4-3/8	2-3/8	3/8	1-3/8	3-1/4	5-5/16	3-3/8	7-5/8	9-5/16
6	1 (STD.)	2-1/2	2-1/4-12	1-7/8-12	3	3.124	1	2-1/16	4-1/4	2-3/8	1/4	1-1/4	3-3/8	6-1/16	3-1/2	8-3/8	10-1/2
	2	3	3-3/4-12	3-12	4	4.749	1	3-3/8	5-1/4	3-7/8	1/4	1-1/4	3-3/8	6-1/16	3-1/2	8-3/8	10-1/2
	3	3	2-3/4-12	2-1/4-12	3-1/2	3.749	1	2-5/8	4-3/4	2-7/8	1/4	1-1/4	3-3/8	6-1/16	3-1/2	8-3/8	10-1/2
	4	3-1/2	3-1/4-12	2-1/2-12	3-1/2	4.249	1	3	4-3/4	3-3/8	1/4	1-1/4	3-3/8	6-1/16	3-1/2	8-3/8	10-1/2

** DIMENSION XI DEBE SER PROPORCIONADO POR EL CLIENTE.

DIMENSIONES FINAL DE VASTAGO - VER TABLA-2B



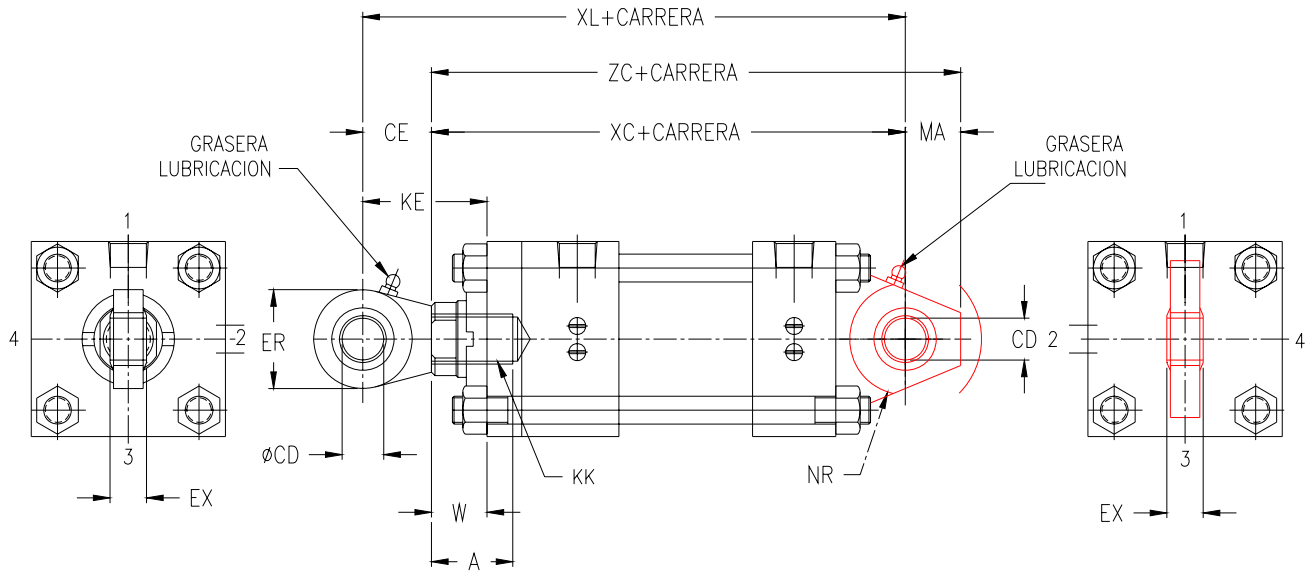


MONTAJE DE TIRANTES
DIAMETROS DE 1-1/2 A 6

CILINDRO HIDRAULICO HDT

OREJA CON ROTULAS

ESTILO **CCR**
(NFPA ESTILO MT1)



DIMENSIONES DE VASTAGO Y MONTAJE

DIAMETRO	No. DE VAST	DIAM VAST MM	CUERDA KK		A	w	+ CARRERA			KE	CD	CE	ER	EX	MA	MS	NR	MAXIMA PRESION DE OPERACION PSI.
			3	5			XC	XL	ZC									
1-1/2	1(STD.)	5/8	-	-	3/4	5/8	6-3/8	7-1/4	7-1/8	1-1/2	0.500	7/8	1-5/8	7/16	3/4	15/16	5/8	1700
	2	1	-	7/16-20	3/4	1	6-3/4	7-5/8	7-1/2	1-7/8								
2	1(STD.)	1	3/4-16	-	1-1/8	3/4	7-1/4	8-1/2	8-1/4	2	0.750	1-1/4	2-1/4	21/32	1	1-3/8	1	2150
	2	1-3/8	-	3/4-16	1-1/8	1	7-1/2	8-3/4	8-1/2	2-1/4								
2-1/2	1(STD.)	1	3/4-16	-	1-1/8	3/4	7-3/8	8-5/8	8-3/8	2	0.750	1-1/4	2-1/4	21/32	1	1-3/8	1	1400
	2	1-3/4	-	3/4-16	1-1/8	1-1/4	7-7/8	9-1/8	8-7/8	2-1/2								
3-1/4	1(STD.)	1-3/8	1-1/4-12	-	1-5/8	7/8	8-5/8	10-1/2	9-7/8	2-3/4	1.000	1-1/4	2-1/2	7/8	1-1/4	1-11/16	1-1/4	1450
	2	2	-	1-1/4-12	1-5/8	1-1/4	9	10-7/8	10-1/4	3-1/8								
4	1(STD.)	1-3/4	1-1/4-12	-	2	1	9-3/4	11-7/8	11-5/8	3-1/8	1.375	2-1/8	3-3/8	13/16	1-7/8	1-7/16	1-5/8	1800
	2	2-1/2	-	1-1/4-12	2	1-3/8	10-1/8	12-1/4	12	3-1/2								
5	1(STD.)	2	1-1/2-12	-	2-1/4	1-1/8	10-1/2	13	13	3-5/8	1.750	2-1/2	4-1/8	1-17/32	2-1/2	2-7/8	2-1/16	1950
	2	3-1/2	-	1-1/2-12	2-1/4	1-3/8	10-3/4	13-1/4	13-1/4	3-7/8								
6	1(STD.)	2-1/2	1-7/8-12	-	3	1-1/4	12-1/8	14-7/8	14-5/8	4	2.000	2-3/4	5	2-3/4	2-5/16	2-3/8	1750	
	2	4	-	1-7/8-12	3	1-1/4	12-1/8	14-7/8	14-5/8	4								

MONTAJE MARCADO CON ROJO

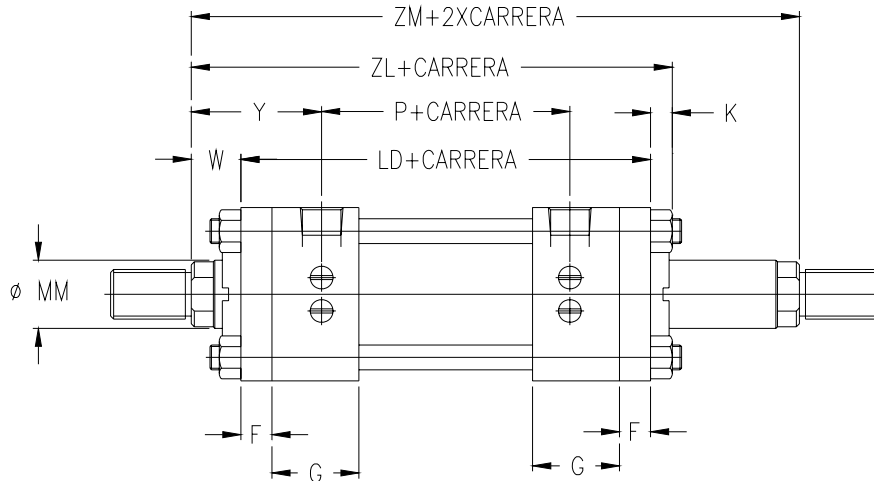


MONTAJE DE TIRANTES
DIAMETROS DE 1-1/2 A 6

CILINDRO HIDRAULICO HDT

DIMENSIONES EXTERIORES DE MONTAJE

CILINDRO DOBLE VASTAGO



DIMENSIONES EXTERIORES PARA CILINDRO DOBLE VASTAGO

DIAMETRO	No. VAST	DIAM. DE VAST. MM	+ C A R R E R A										+ 2X CARRERA
			LD	ZL	SAW	XAW	ZAW	SNW	SSW	SEW	XEW	ZEW	
1-1/2	1	5/8	5-5/8	6-5/8	7-5/8	7-1/4	7-5/8	2-7/8	4-1/8	7-3/8	7-1/8	7-1/2	6-7/8
2	1	1	6-1/8	7-5/16	8-5/8	8-1/8	8-5/8	2-7/8	3-7/8	8	7-13/16	8-5/16	7-5/8
2-1/2	1	1	6-1/4	7-7/16	8-5/8	8-3/16	8-3/4	3	3-5/8	8-1/8	7-15/16	8-7/16	7-3/4
3-1/4	1	1-3/8	7-1/4	8-11/16	10-7/8	9-15/16	10-5/8	3-1/2	4-3/8	9-1/2	9-1/4	9-7/8	9
4	1	1-3/4	7-3/4	9-5/16	12	10-7/8	11-3/4	3-3/4	4-1/4	10	9-7/8	10-1/2	9-3/4
5	1	2	8-1/4	10-3/16	12-1/2	11-1/2	12-3/8	4-1/4	4-3/4	11-1/4	10-7/8	11-5/8	10-1/2
6	1	2-1/2	9-3/8	11-1/2	14-1/4	13-1/16	14-1/8	4-7/8	5-1/8	12-3/4	12-5/16	13-3/16	11-7/8

TABLA COMPARATIVA DE MONTAJES

MONTAJE SIMPLE VASTAGO	ETD	ETT	ETA	BRD	BCD	CRD	PLA	PCA	BAC	AFA	PFA	BCD	BIN
MONTAJE DOBLE VASTAGO (W)	WETD	WETT	WETA	WBRD	WBCD	WCRD	WPLA	WPCA	WBAC	Wafa	WPFA	WBCD	WBIN
LAS DIMENSIONES QUE NO SE MUESTRAN EN ESTA PAGINA ESTAN INDICADOS EN LAS SIGUIENTES.	4	4	4	6	6	6	10	10	10	12	12	14	14

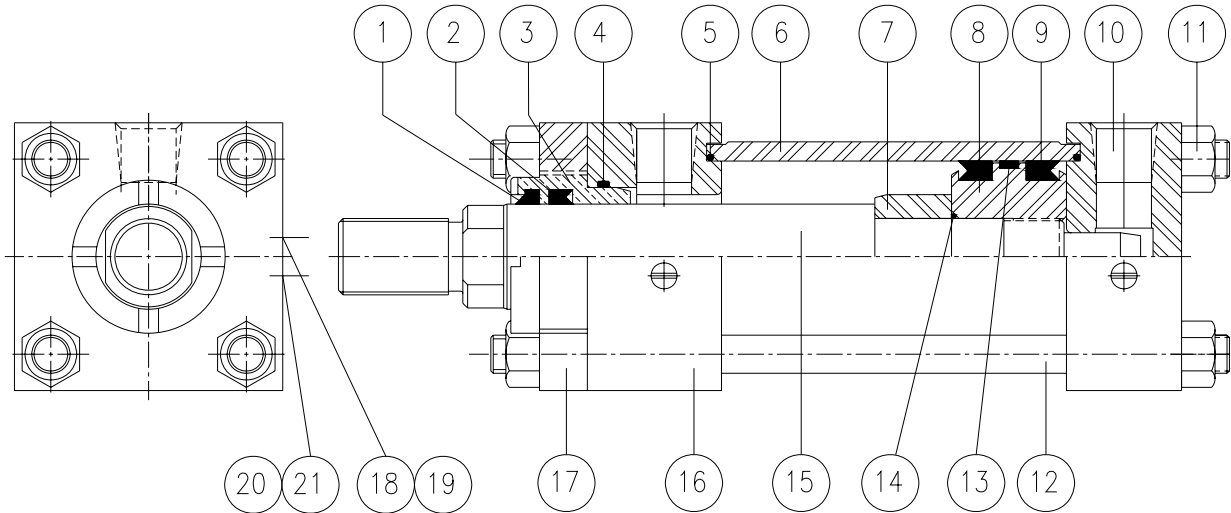
LOS CILINDROS DOBLE VASTAGO (W) CUANDO SE AMORTIGUA EN UN SOLO LADO INDICAR PORQUE LADO DEBE LLEVAR EL AMORTIGUAMIENTO. TOMANDO COMO REFERENCIA EL MONTAJE.



PRESION NOMINAL 3000 PSI.
DIAMETROS DE 1-1/2 A 6

CILINDRO HIDRAULICO HDT

PARTES DE UN CILINDRO HTD



PARTES DE UN CILINDRO, MONTAJE (BAC) (NFPA ESTILO MS4)

No. DE REF.	DESCRIPCION	VER PAGINA PARA KITS	CANTIDAD
1	L I M P I A D O R	22	1
2	SELLO GUIA	22	1
3	G U I A	22	1
4	ORING GUIA	22	1
5	ORING TUBO	23	2
6	T U B O	-	1
7	CAMISA DE AMORTIGUAMIENTO	-	1
8	E M B O L O	-	1
9	SELLO EMBOLO	23	2
10	CABEZA TRASERA	-	1
11	TUERCA DE SEGURIDAD	SEGUN MONTAJE	8
12	T I R A N T E S	SEGUN MONTAJE	4
13	A R I L L O	23	1
14	ORING EMBOLO	23	1
15	V A S T A G O	-	1
16	CABEZA DELANTERA	-	1
17	R E T E N	-	1
18	ESPREA	25	2
19	ORING ESPREA	25	2
20	TAPON CHECK	25	2
19	ORING TAPON CHECK	25	2



ESPECIFICACIONES ESTANDARES

- 1.- ESTANDARES
CUMPLEN CON LOS REQUERIMIENTOS DE LAS NORMAS NFPA.
- 2.- PRESION NOMINAL
3000 PSI.
- 3.- RANGO DE TEMPERATURA.
-40° A 100°C TEMPERATURA AMBIENTE PARA SELLOS STD.
GUIA Y EMBOLO OPCION EN VITON SOPORTA TEMPERATURAS
DE -20°C A 200°C.
- 4.- DIAMETRO DE CILINDROS
Ø 1-1/2" A 6"
- 5.- DIAMETRO DE VASTAGOS
Ø 5/8" A 4"
- 6.- CARRERA
DISPONIBLE EN CUALQUIER LONGITUD PRACTICA
- 7.- FLUIDO ESTANDAR
ACEITE HIDRAULICO
- 8.- MONTAJE
18 TIPOS DE MONTAJES ESTANDARES
- 9.- SISTEMA DE AMORTIGUAMIENTO
AMORTIGUAMIENTO EN CUALQUIER EXTREMO DE CABEZA
- 10.-CABEZA DELANTERA Y CABEZA TRASERA
EN PUERTOS UTILIZA CUERDA NPTF COMO ESTANDAR
- 11.-CUERDA AL FINAL DE VASTAGO
UTILIZA CUERDA HEMBRA Y MACHO
- 12.-GUIA ROSCADA (FACIL DE MANTENIMIENTO)
SE PUEDE REEMPLAZAR LA GUIA SIN DESMONTAR LOS TIRANTES.
- 13.-CILINDROS ESPECIALES.
SON AQUELLOS QUE NO ESTAN CONTENIDOS EN ESTE CATALOGO
Y DEBEN SER CONSULTADOS CON NUESTRO DEPARTAMENTO DE
INGENIERIA.



CILINDRO HIDRAULICO HDT

DATOS PARA EL MODELO Y SELLOS

DATOS NECESARIOS PARA ORDENAR CILINDROS HDT ESTANDAR Y TIPO DE MATERIALES DE LOS SELLOS USADOS.

CUANDO ORDENE CILINDROS HDT ESTANDAR, DEBE ASEGURAR QUE CONTENGA LOS DATOS NESESARIOS PARA FORMAR EL MODELO SEGUN EL SIGUIENTE LISTADO.

- | | |
|--|---|
| <p>DATOS
NECESARIOS
PARA
ORDENAR</p> | <ol style="list-style-type: none"> 1.- TIPO DE CILINDRO 2.- DIAMETRO DE CILINDRO 3.- TIPO DE AMORTIGUAMIENTO 4.- TIPO DE MONTAJE 5.- DIAMETRO DE VASTAGO 6.- NUMERO DE VASTAGO
Y TIPO DE ROSCA
AL FINAL DE VASTAGO 7.- CARRERA EN PULGADAS Y
FRACCIONES (60-500"). 8.- SI TIENE ALGUNA MODIFICACION
COLOCAR UNA "S"
Y SI NO HAY MODIFICACION COLOCAR UN "CERO" |
| <p>TIPO DE
MATERIALES
USADOS EN
SELLOS</p> | <ol style="list-style-type: none"> 9.- LOS CILINDROS VAYREMEX TIPO HIDRAULICO UTILIZA SELLOS QUE ESTAN DISEÑADOS PARA USAR ACEITE HIDRAULICO, NUESTROS SELLOS (BUNA) SOPORTAN UNA TEMPERATURA DE -40°C A 100°C Y LOS SELLOS DE (VITON) A UNA TEMPERATURA DE -20°C A 200° C. Y UNA PRESION DE 3000 PSI. SI REQUIERE UTILIZAR OTRO TIPO DE FLUIDO DEBE ESPECIFICAR EL TIPO DE FLUIDO Y CONSULTAR EN PLANTA. A.- LIMPIADOR (BUNA) / (VITON) B.- SELLO GUIA (BUNA) / (VITON) C.- ORING GUIA (BUNA) / (VITON) D.- ORING TUBO (BUNA) / (VITON) E.- SELLO EMBOLO (BUNA) / (VITON) F.- ORING ESPREA (BUNA) / (VITON) G.- ORING TAPON CHECK (BUNA) / (VITON) |

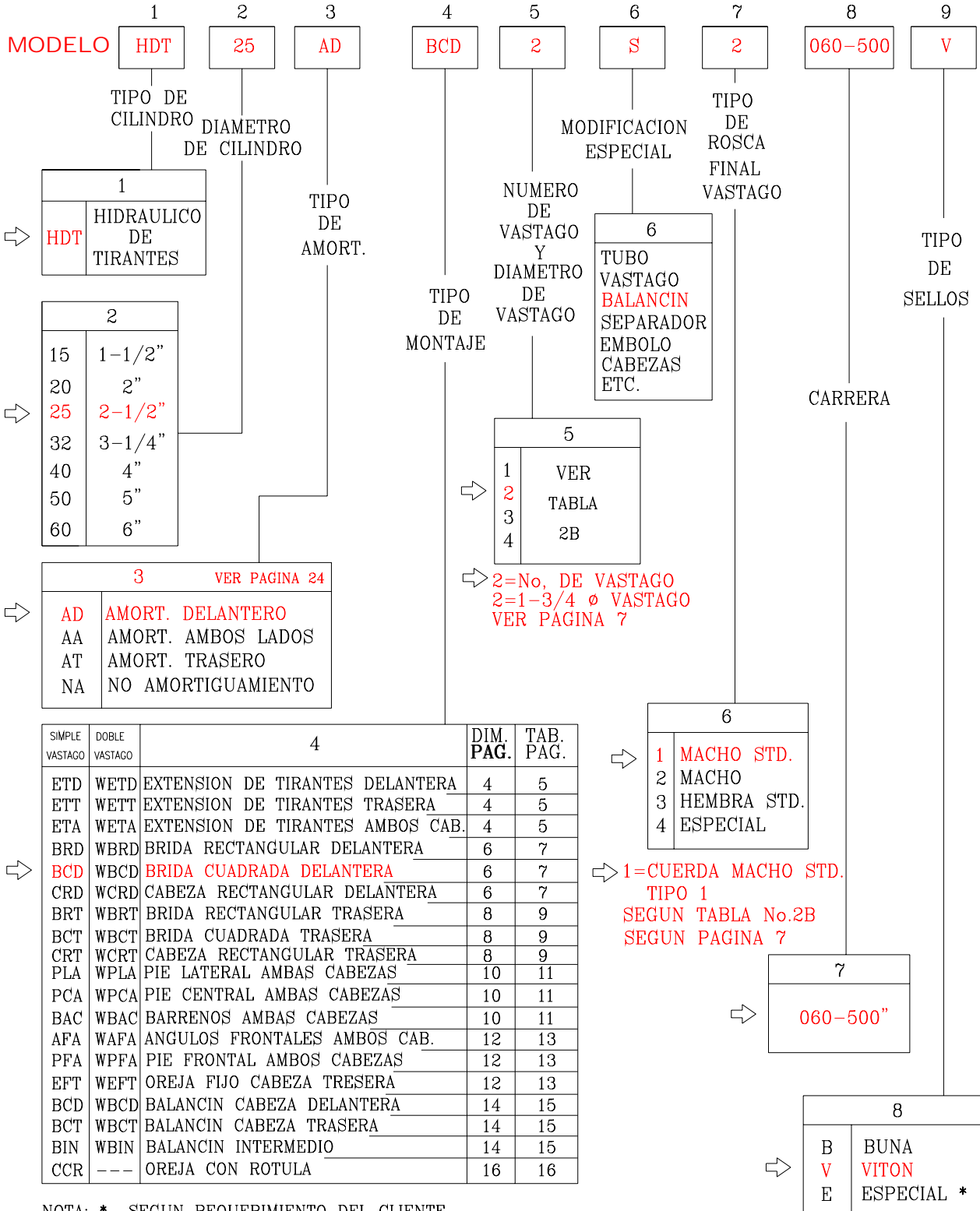


GUIA PARA ORDENAR

LAS FLECHAS INDICAN LA OPCION SEGUN EL REQUERIMIENTO DEL CILINDRO DANDO COMO RESULTADO EL SIGUIENTE MODELO.

EJEMPLO: HDT-25-AD-BCD-2-S-2-60-500-V (MODELO SIMPLE VASTAGO)
 HDT-25-AD-BCD-2-0-2-60-500-V (MODELO SIMPLE VASTAGO)

SI NO HAY MODIFICACION COLOCAR UN "CERO"



NOTA: * SEGUN REQUERIMIENTO DEL CLIENTE.

NOTA: ** PARA INDICAR EL LADO DONDE HAY QUE AMORTIGUAR EN LOS DE DOBLE VASTAGO(W)TOMAR COMO REFERENCIA EL MONTAJE.

NOTA: *** CUANDO NO HAY MODIFICACION EN LUGAR DE LA "S" SE COLOCA UN "CERO"



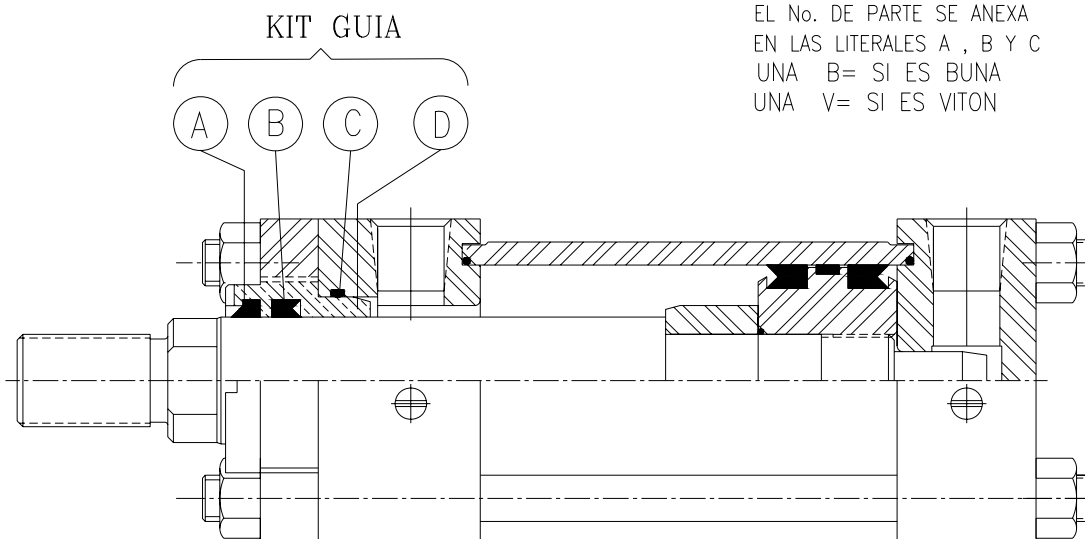
CILINDRO HIDRAULICO HDT

KIT DE REPARACION SELLOS GUIA

DIAMETRO CILINDRO	DIAMETRO VASTAGO	LIMPIADOR A	SELLO GUIA B	ORING GUIA C	G U I A D	K I T G U I A	
						B U N A	V I T O N
1-1/2	5/8	HLG-625	HSG-625	HNG-625	HG-625	HKG-625-B	HKG-625-V
	1	HLG-1000	HSG-1000	HNG-1000	HG-1000	HKG-1000-B	HKG-1000-V
2	1	HLG-1000	HSG-1000	HNG-1000	HG-1000A	HKG-1000A-B	HKG-1000A-V
	1-3/8	HLG-1375	HSG-1375	HNG-1375	HG-1375	HKG-1375-B	HKG-1375-V
2-1/2	1	HLG-1000	HSG-1000	HNG-1000	HG-1000A	HKG-1000A-B	HKG-1000A-V
	1-3/8	HLG-1375	HSG-1375	HNG-1375	HG-1375A	HKG-1375A-B	HKG-1375A-V
	1-3/4	HLG-1750	HSG-1750	HNG-1750	HG-1750	HKG-1750-B	HKG-1750-V
3-1/4	1-3/8	HLG-1375	HSG-1375	HNG-1375	HG-1375B	HKG-1375B-B	HKG-1375B-V
	1-3/4	HLG-1750	HSG-1750	HNG-1750	HG-1750A	HKG-1750A-B	HKG-1750A-V
	2	HLG-2000	HSG-2000	HNG-2000	HG-2000	HKG-2000-B	HKG-2000-V
4	1-3/4	HLG-1750	HSG-1750	HNG-1750	HG-1750B	HKG-1750B-B	HKG-1750B-V
	2	HLG-2000	HSG-2000	HNG-2000	HG-2000A	HKG-2000A-B	HKG-2000A-V
	2-1/2	HLG-2500	HSG-2500	HNG-2500	HG-2500	HKG-2500-B	HKG-2500-V
5	2	HLG-2000	HSG-2000	HNG-2000	HG-2000A	HKG-2000A-B	HKG-2000A-V
	2-1/2	HLG-2500	HSG-2500	HNG-2500	HG-2500	HKG-2500-B	HKG-2500-V
	3	HLG-3000	HSG-3000	HNG-3000	HG-3000	HKG-3000-B	HKG-3000-V
	3-1/2	HLG-3500	HSG-3500	HNG-3500	HG-3500	HKG-3500-B	HKG-3500-V
6	2-1/2	HLG-2500	HSG-2500	HNG-2500	HG-2500A	HKG-2500A-B	HKG-2500A-V
	3	HLG-3000	HSG-3000	HNG-3000	HG-3000A	HKG-3000A-B	HKG-3000A-V
	3-1/2	HLG-3500	HSG-3500	HNG-3500	HG-3500A	HKG-3500A-B	HKG-3500A-V
	4	HLG-4000	HSG-4000	HNG-4000	HG-4000	HKG-4000-B	HKG-4000-V
C A N T I D A D		1 PIEZA	1 PIEZA	1 PIEZA	1 PIEZA		

NOTA:

PARA EFECTO DE ENS. GRAL.
EL No. DE PARTE SE ANEXA
EN LAS LITERALES A , B Y C
UNA B= SI ES BUNA
UNA V= SI ES VITON





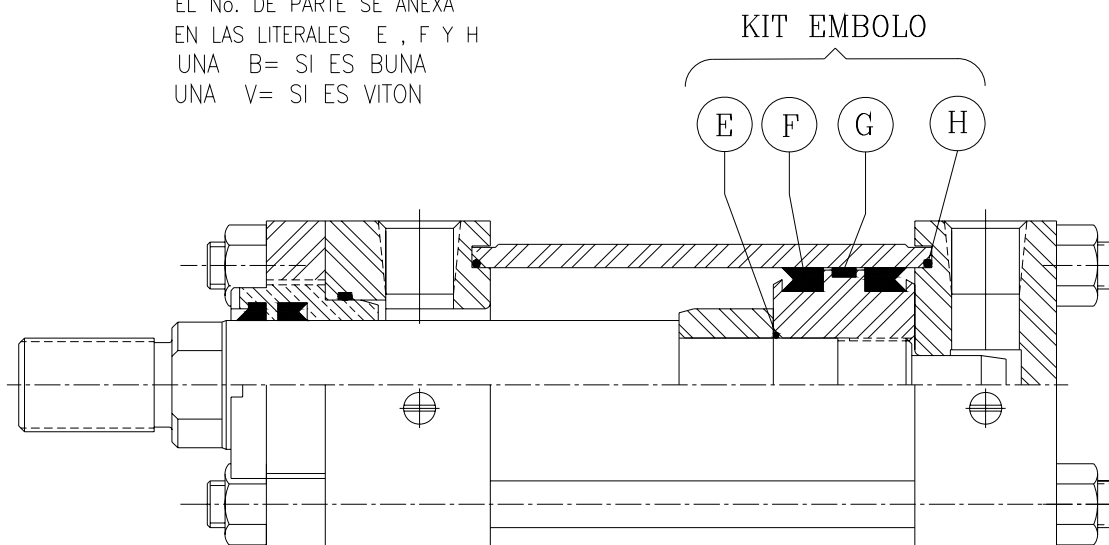
CILINDRO HIDRAULICO HDT

KIT DE REPARACION SELLOS EMBOLO

DIAM. CIL.	DIAM. VAST.	ORING EMBOLO E	SELLO EMBOLO F	ARILLO G	ORING-TUBO H	K I T E M B O L O	
						B U N A	V I T O N
1-1/2	5/8	HNE-625-500	HSE-1500	HSTF-1500	HNT-1500	HKE-1500-625-B	HKE-1500-625-V
	1	HNE-1000-500				HKE-1500-1000-B	HKE-1500-1000-V
2	1	HNE-1000-750	HSE-2000	HSTF-2000	HNT-2000	HKE-2000-1000-B	HKE-2000-1000-V
	1-3/8	HNE-1375-750				HKE-2000-1375-B	HKE-2000-1375-V
2-1/2	1	HNE-1000-750	HSE-2500	HSTF-2500	HNT-2500	HKE-2500-1000-B	HKE-2500-1000-V
	1-3/8	HNE-1375-1000				HKE-2500-1375-B	HKE-2500-1375-V
	1-3/4	HNE-1750-1000				HKE-2500-1750-B	HKE-2500-1750-V
3-1/4	1-3/8	HNE-1375-750	HSE-3250	HSTF-3250	HNT-3250	HKE-3250-1375-B	HKE-3250-1375-V
	1-3/4	HNE-1750-1250				HKE-3250-1750-B	HKE-3250-1750-V
	2	HNE-2000-1250				HKE-3250-2000-B	HKE-3250-2000-V
4	1-3/4	HNE-1750-1250	HSE-4000	HSTF-4000	HNT-4000	HKE-4000-1750-B	HKE-4000-1750-V
	2	HNE-2000-1250				HKE-4000-2000-B	HKE-4000-2000-V
	2-1/2	HNE-2500-1500				HKE-4000-2500-B	HKE-4000-2500-V
5	2	HNE-2000-1500	HSE-5000	HSTF-5000	HNT-5000	HKE-5000-2000-B	HKE-5000-2000-V
	2-1/2	HNE-2500-1500				HKE-5000-2500-B	HKE-5000-2500-V
	3	HNE-3000-2250				HKE-5000-3000-B	HKE-5000-3000-V
	3-1/2	HNE-3500-2250				HKE-5000-3500-B	HKE-5000-3500-V
6	2-1/2	HNE-2500-1875	HSE-6000	HSTF-6000	HNT-6000	HKE-6000-2500-B	HKE-6000-2500-V
	3	HNE-3000-1875				HKE-6000-3000-B	HKE-6000-3000-V
	3-1/2	HNE-3500-2500				HKE-6000-3500-B	HKE-6000-3500-V
	4	HNE-4000-2500				HKE-6000-4000-B	HKE-6000-4000-V
C A N T I D A D		1 PIEZA	2 PIEZAS	1 PIEZA	2 PIEZAS		

NOTA:

PARA EFECTO DE ENS. GRAL.
EL No. DE PARTE SE ANEXA
EN LAS LITERALES E , F Y H
UNA B= SI ES BUNA
UNA V= SI ES VITON





CILINDRO HIDRAULICO HDT

POSICION DE PUERTOS Y AMORTIGUAMIENTOS

LAS POSICIONES NORMALES DE LOS PUERTOS SE MUESTRA CON EL No.1 EN LA FIGURA 1A Y LAS OPCIONALES CON LOS No. 2,3Y4 SEGUN SE ESPECIFIQUE, ASEGURANDO QUE NO INTERFIERA CON EL MONTAJE Y EL MANTENIMIENTO.

LAS POSICIONES NORMALES DE LA ESPREA Y TAPON CHECK SE MUESTRA CON EL No. 2 EN LA FIGURA 1A Y LAS OPCIONALES CON LOS No. 1, 3 Y 4 SEGUN SE ESPECIFIQUE, ASEGURANDO QUE NO INTERFIERA CON EL MONTAJE Y EL MANTENIMIENTO.

LOS ORIFICIOS DE MONTAJE SON MAQUINADOS Y CALBRADOS SEGUN ESPECIFICACIONES DE INGENIERIA.

PARA LA ADQUISICION DE LOS KIT DE REPARACION DE LA ESPREA Y TAPON CHECK (VER PAGINA 25).

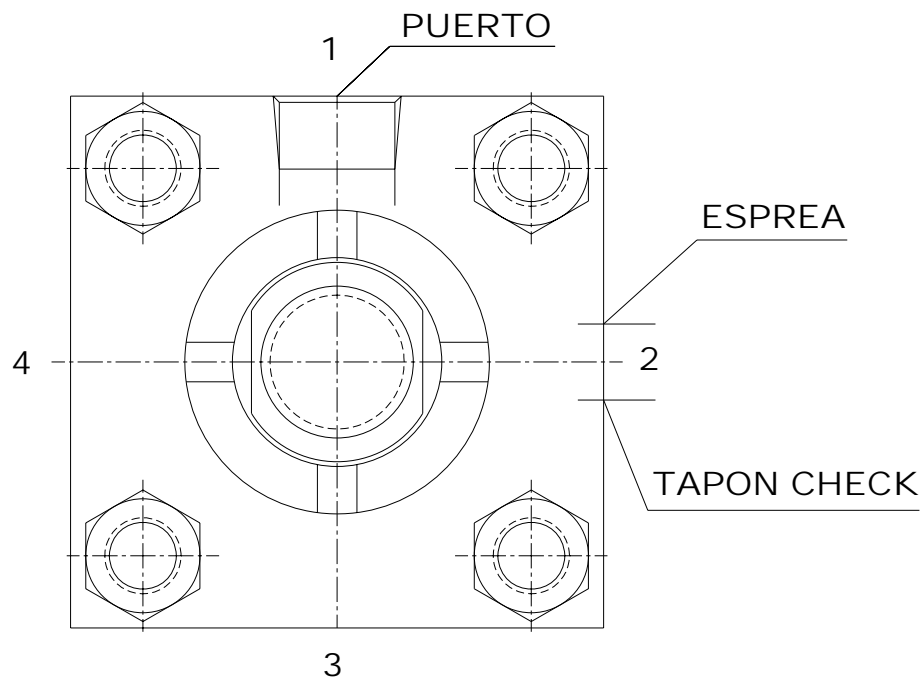


FIG. 1A



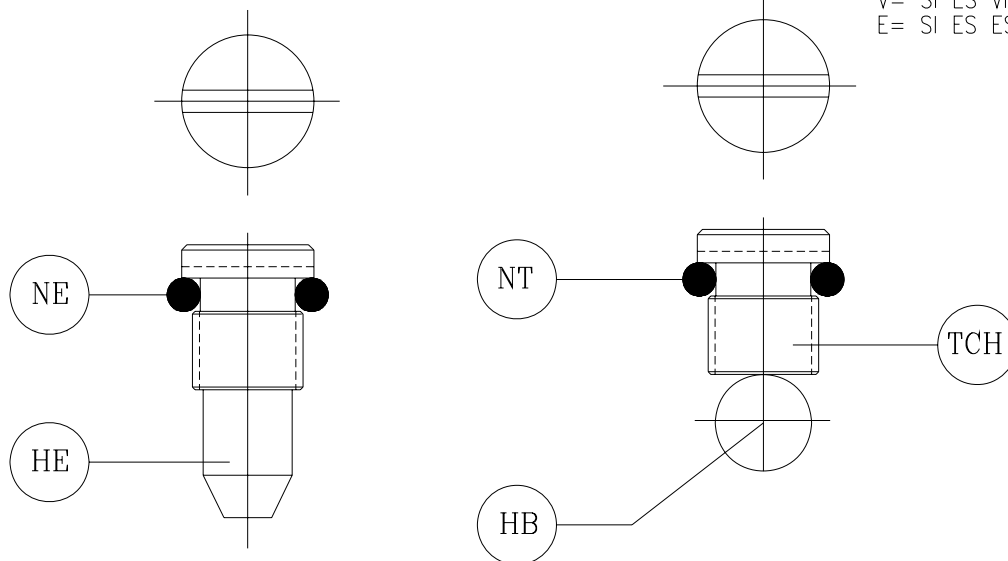
CILINDRO HIDRAULICO HDT

KIT DE REPARACION DEL AMORTIGUAMIENTO (DELANTERO Y TRASERO)

DIAMETRO CILINDRO	TAPON CHECK	BALIN	ORING TAPON CHECK	ESPREA	ORING ESPREA	KIT TAPON CHECK Y ESPREA	
	HTCH	B	NT	E	NE	B U N A	V I T O N
1-1/2	HTCH-312	HB-312	HNTC-312	HES-312	HNE-312	HKDT-312-B	HKDT-312-V
2	HTCH-312	HB-312	HNTC-312	HES-312	HNE-312	HKDT-312-B	HKDT-312-V
2-1/2	HTCH-312	HB-312	HNTC-312	HES-312	HNE-312	HKDT-312-B	HKDT-312-V
3-1/4	HTCH-500	HB-500	HNTC-500	HES-500	HNE-500	HKDT-500-B	HKDT-500-V
4	HTCH-500	HB-500	HNTC-500	HES-500	HNE-500	HKDT-500-B	HKDT-500-V
5	HTCH-500	HB-500	HNTC-500	HES-500	HNE-500	HKDT-500-B	HKDT-500-V
6	HTCH-625	HB-625	HNTC-625	HES-625	HNE-625	HKDT-625-B	HKDT-625-B
CANTIDAD	2 PIEZAS	2 PIEZAS	2 PIEZAS	2 PIEZAS	2 PIEZAS		

NOTA:

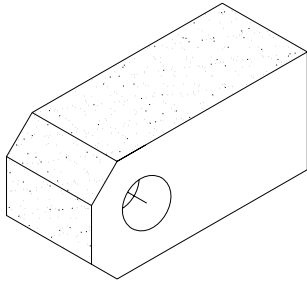
PARA EFECTO DE ENS. GRAL.
EL No. DE PARTE SE DEBE
AGREGAR EN
LA LETRA NT Y NE
B= SI ES BUNA
V= SI ES VITON
E= SI ES ESPECIAL





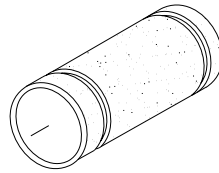
CILINDRO HIDRAULICO HDT

ACCESORIOS PARA CILINDROS



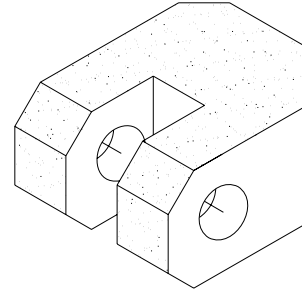
HORQUILLA MACHO

VER PAG. 27



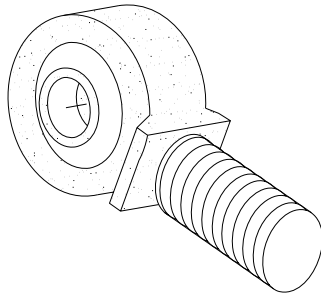
P E R N O CON CANDADO

VER PAG. 28



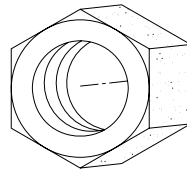
HORQUILLA HEMBRA

VER PAG. 29



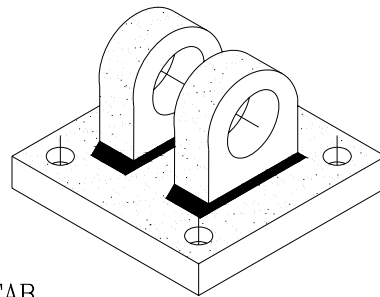
HORQUILLA MACHO C/ROTULA

VER PAG. 30 Y 31 TAB.



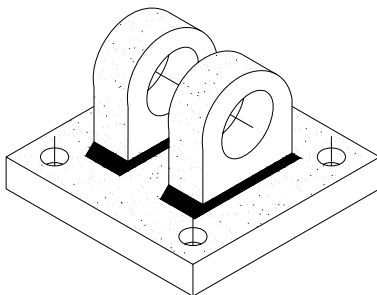
CONTRA TUERCA

VER PAG. 30 Y 31 TAB.



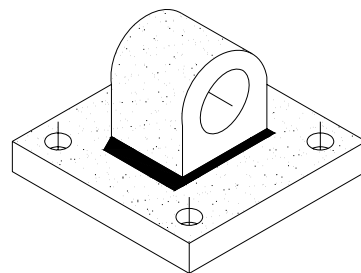
BASE CLEVIS HEMBRA

VER PAG. 30 Y 31 TAB.



BASE HORQUILLA HEMBRA

VER PAG. 32



BASE HORQUILLA MACHO

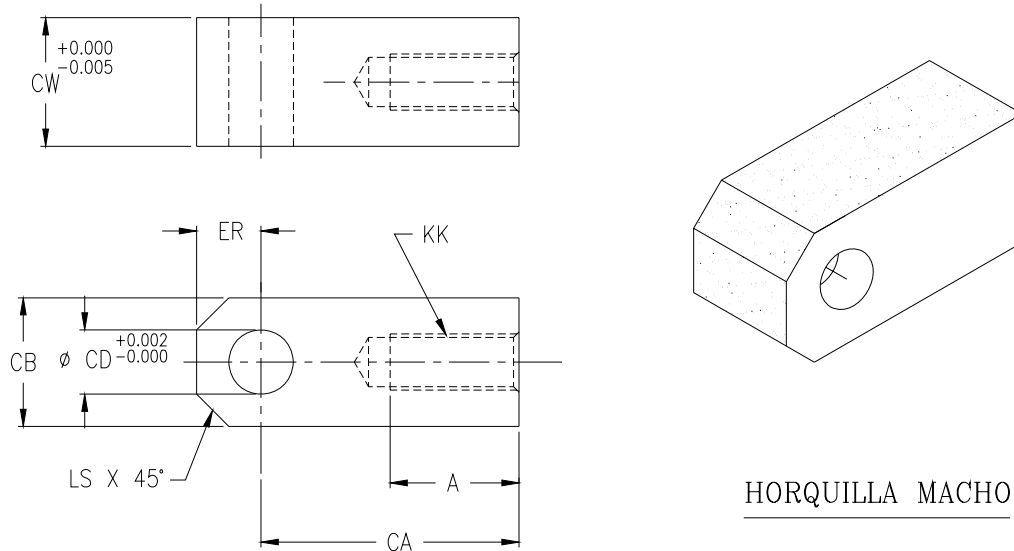
VER PAG. 33

CALIDAD Y PRECISION



CILINDRO HIDRAULICO HDT

ACCESORIO PARA CILINDROS



HORQUILLA MACHO

HORQUILLA MACHO										
No. PARTE	ROSCA KK	A	CA	CB	CD	ER	LS	CW	BASE HORQUILLA HEMBRA	PERNO CON CANDADO
HM-437	7/16-20	3/4	1-1/2	1	0.500	1/2	9/32	3/4	BHH-500	PC-500
HM-500	1/2-20	3/4	1-1/2	1	0.500	1/2	9/32	3/4	BHH-500	PC-500
HM-750	3/4-16	1-1/8	2-1/16	1-1/2	0.750	3/4	7/16	1-1/4	BHH-750	PC-750
HM-875	7/8-14	1-1/8	2-1/16	2	0.750	3/4	7/16	1-1/4	BHH-750	PC-750
HM-1000	1-14	1-5/8	2-13/16	2	1.000	1	9/16	1-1/2	BHH-1000	PC-1000
HM-1250	1-1/4-12	2	3-7/16	2-3/4	1.375	1-3/8	13/16	2	BHH-1375	PC-1375
HM-1500	1-1/2-12	2-1/4	4	3-1/2	1.750	1-3/4	1	2-1/2	BHH-1750	PC-1750
HM-1750	1-3/4-12	2-1/4	4	4	1.750	1-3/4	1	2-1/2	BHH-1750	PC-1750
HM-1875	1-7/8-12	3	5	4	2.000	2	1-3/16	2-1/2	BHH-2000	PC-2000
HM-2250	2-1/4-12	3-1/2	5-13/16	5	2.500	2-1/2	1-3/16	3	BHH-2500	PC-2500
HM-2500	2-1/2-12	3-1/2	6-1/8	6	3.000	2-3/4	1-3/16	3	BHH-3000	PC-3000
HM-3250	3-1/4-12	4-1/2	7-5/8	8	3.500	3-1/2	1-3/16	4	BHH-3500	PC-3500
HM-4000	4-12	5-1/2	9-1/8	8	4.000	4	1-3/16	4-1/2	BHH-4000	PC-4000

EJEMPLO: 1

⇒ PARA UNA HORQUILLA MACHO No. DE PARTE HM-1750
UTILIZAR UNA BASE HORQUILLA HEMBRA CON No. DE PARTE: BHH-1750 (VER PAG. 32)

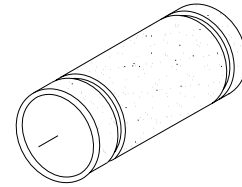
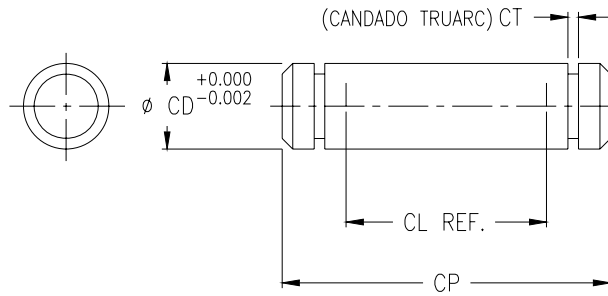
EJEMPLO: 2

⇒ PARA UNA HORQUILLA MACHO No. DE PARTE HM-1750
UTILIZAR UN PERNO CON No. DE PARTE: PC-1750 (VER PAG. 28)



CILINDRO HIDRAULICO HDT

ACCESORIO PARA CILINDROS



PERNO CON CANDADO

P E R N O C O N C A N D A D O								
No. PARTE	CD	CL	CP	CANDADO CT	BASE HORQUILLA HEMBRA	BASE HORQUILLA MACHO	HORQUILLA HEMBRA	HORQUILLA MACHO
PC-437	0.437	1-1/2	2	5100-43	-----	BHM-437	HE-437	HM-437
PC-500	0.500	1-3/4	2-3/8	5100-50	BHH-500	BHM-500	HE-500	HM-500
PC-750	0.750	2-1/2	3-1/8	5100-75	BHH-750	BHM-750	HE-750	HM-750
PC-1000	1.000	3	3-3/4	5100-100	BHH-1000	BHM-1000	HE-1000	HM-1000
PC-1375	1.375	4	4-3/4	5100-137	BHH-1375	BHM-1375	HE-1375	HM-1375
PC-1750	1.750	5	5-3/4	5100-175	BHH-1750	BHM-1750	HE-1750	HM-1750
PC-2000	2.000	5	5-3/4	5100-200	BHH-2000	BHM-2000	HE-2000	HM-2000
PC-2500	2.500	6	6-3/4	5100-250	BHH-2500	BHM-2500	HE-2500	HM-2500
PC-3000	3.000	6	6-3/4	5100-300	BHH-3000	BHM-3000	HE-3000	HM-3000
PC-3500	3.500	8	8-3/4	5100-350	BHH-3500	BHM-3500	HE-3500	HM-3500
PC-4000	4.000	9	9-3/4	5100-400	BHH-4000	BHM-4000	HE-4000	HM-4000

EJEMPLO: 1

- ⇒ PARA UN PERNO No.DE PARTE PC-1750
UTILIZAR UNA BASE HORQUILLA HEMBRA CON No. DE PARTE: BHH-1750 (VER PAG. 32)

EJEMPLO: 2

- ⇒ PARA UN PERNO No.DE PARTE PC-1750
UTILIZAR UNA BASE HORQUILLA MACHO CON No. DE PARTE: BHM-1750 (VER PAG. 33)

EJEMPLO: 3

- ⇒ PARA UN PERNO No.DE PARTE PC-1750
UTILIZAR UNA HORQUILLA HEMBRA CON No.DE PARTE: HE-1750 (VER PAG. 29)

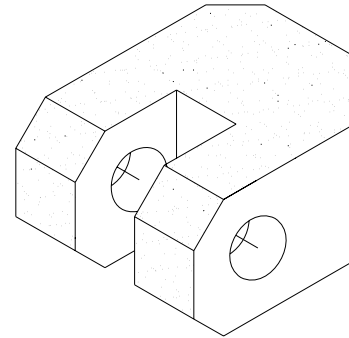
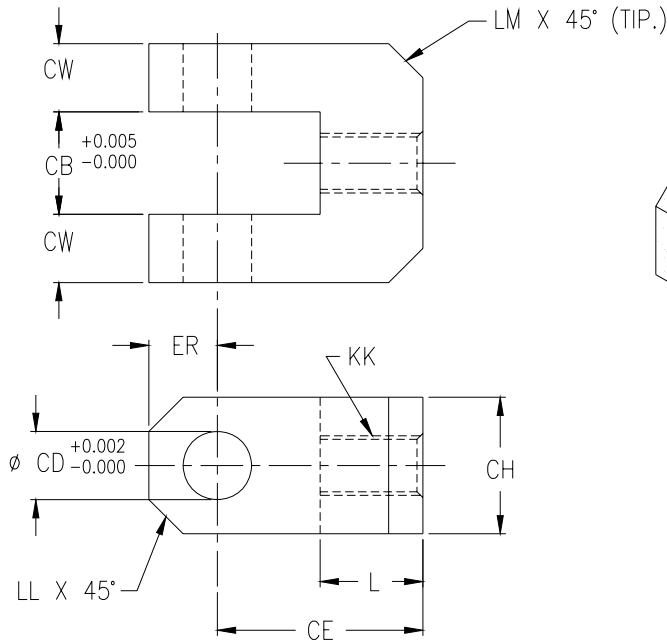
EJEMPLO: 4

- ⇒ PARA UN PERNO No.DE PARTE PC-1750
UTILIZAR UNA HORQUILLA MACHO CON No.DE PARTE: HM-1750 (VER PAG. 27)



CILINDRO HIDRAULICO HDT

ACCESORIO PARA CILINDROS



HORQUILLA HEMBRA

HORQUILLA HEMBRA

No. PARTE	ROSCA KK	CB	CD	CE	CW	ER	CH	L	LL	LM	BASE HORQUILLA MACHO	PERNO CON CANDADO
HE-437	7/16-20	3/4	0.500	1-1/2	1/2	1/2	1	3/4	1-1/2	3/8	BHM-500	PC-500
HE-500	1/2-20	3/4	0.500	1-1/2	1/2	1/2	1	3/4	2-3/8	3/8	BHM-500	PC-500
HE-750	3/4-20	1-1/4	0.750	2-3/8	5/8	3/4	1-1/2	1-1/8	3-1/8	1/2	BHM-750	PC-750
HE-875	7/8-14	1-1/4	0.750	2-3/8	5/8	3/4	1-1/2	1-1/8	4-1/8	1/2	BHM-750	PC-750
HE-1000	1-14	1-1/2	1.000	3-1/8	3/4	1	2	1-5/8	4-1/2	1/2	BHM-1000	PC-1000
HE-1250	1-1/4-12	2	1.375	4-1/8	1	1-1/4	2-1/2	2	5-1/2	5/8	BHM-1375	PC-1375
HE-1500	1-1/2-12	2-1/2	1.750	4-1/2	1-1/4	1-3/4	2-1/2	2-1/4	6-1/2	5/8	BHM-1750	PC-1750
⇐ HE-1750	1-3/4-12	2-1/2	1.750	4-1/2	1-1/4	1-3/4	2-1/2	2-1/4	6-3/4	5/8	BHM-1750	PC-1750
HE-1875	1-7/8-12	2-1/2	2.000	5-1/2	1-1/4	2	3	3	8-1/2	5/8	BHM-2000	PC-2000
HE-2250	2-1/4-12	3	2.500	6-1/2	1-1/2	2-1/2	3-1/2	3-1/2	-	3/4	BHM-2500	PC-2500
HE-2500	2-1/2-12	3	3.000	6-3/4	1-1/2	2-3/4	3-3/4	3-1/2	-	3/4	BHM-3000	PC-3000
HE-3250	3-1/4-12	4	3.500	8-1/2	2	3-1/2	5	4-1/2	-	1	BHM-3500	PC-3500
HE-4000	4-12	4-1/2	4.000	10	2-1/4	4	6	5-1/2	-	1	BHM-4000	PC-4000

EJEMPLO: 1

⇐ PARA UNA HORQUILLA HEMBRA No.DE PARTE HE-1750
UTILIZAR UNA BASE HORQUILLA MACHO CON No. DE PARTE: BHM-1750 (VER PAG. 33)

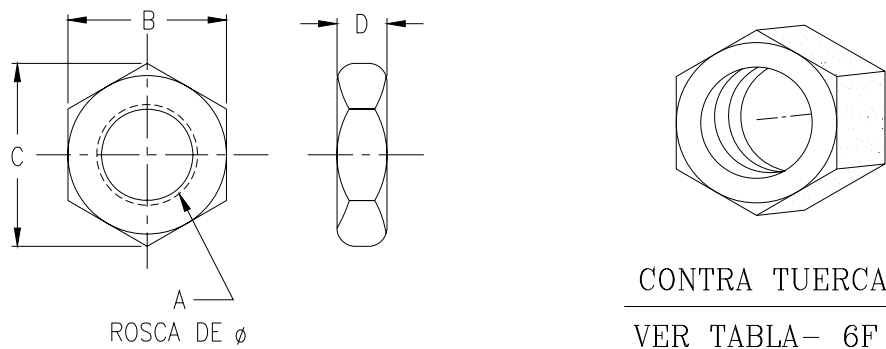
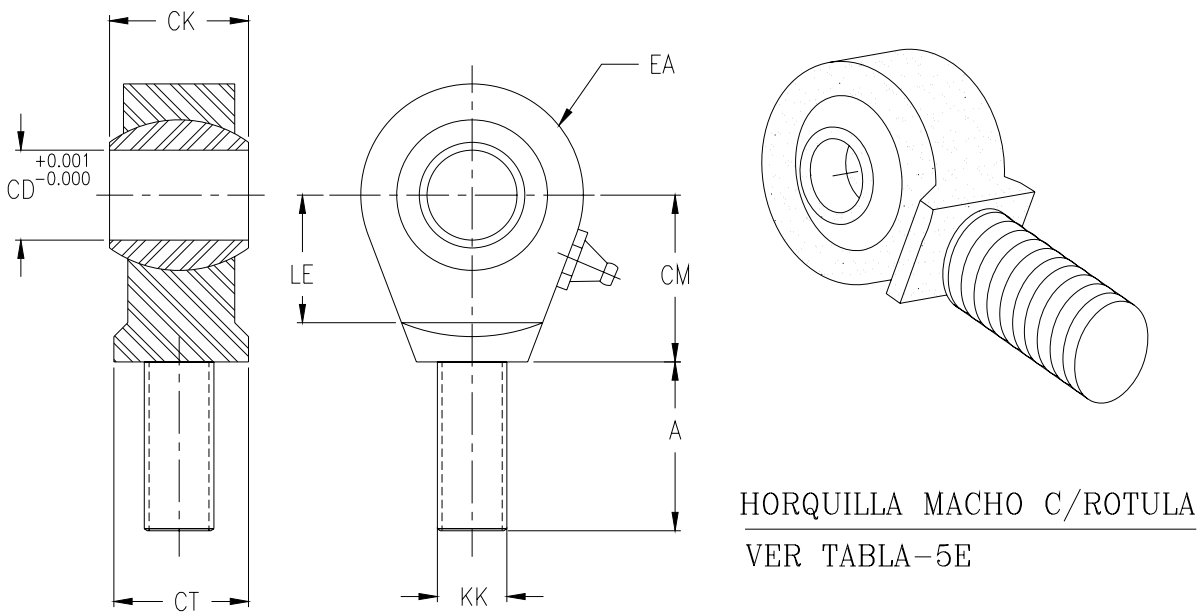
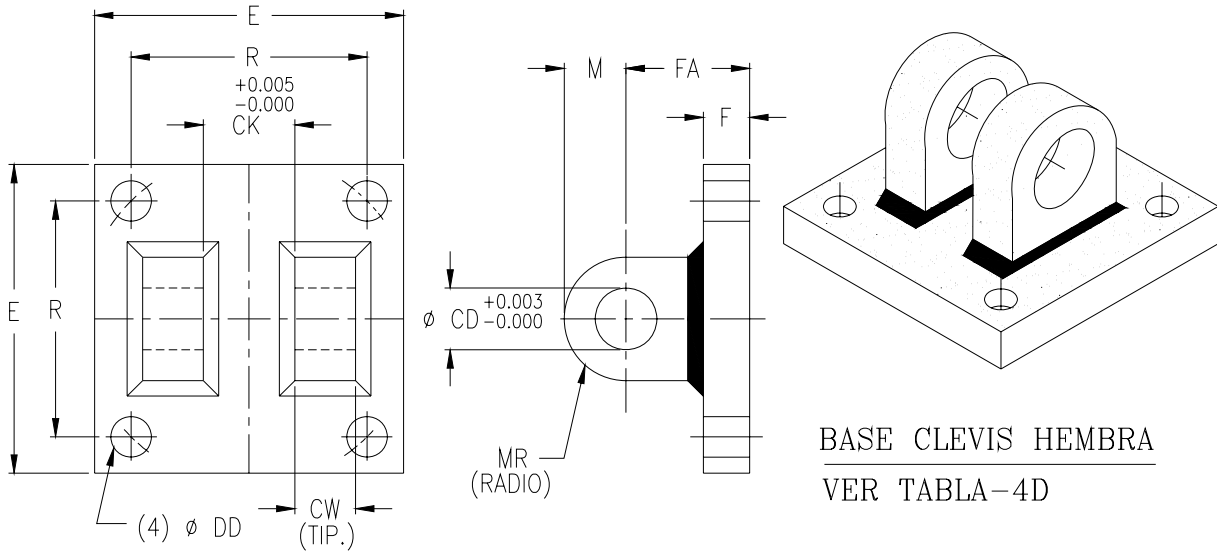
EJEMPLO: 2

⇐ PARA UNA HORQUILLA HEMBRA No.DE PARTE HE-1750
UTILIZAR UN PERNO CON No.DE PARTE: PC-1750 (VER PAG. 28)



CILINDRO HIDRAULICO HDT

ACCESORIO PARA CILINDROS





CILINDRO HIDRAULICO HDT

ACCESORIO PARA CILINDROS

TABLA-4D

BASE CLEVIS HEMBRA											
No. PARTE	CK	CD	CW	DD	E	F	FA	LD	M	MR	R
BCH-500	1/2	0.500	1/2	13/32	3	3/8	1-3/8	13/16	1/2	1/2	2.050
BCH-750	23/32	0.750	5/8	17/32	4-1/2	5/8	2-1/8	1-5/16	3/4	3/4	3.250
BCH-1000	15/16	1.000	3/4	21/32	5	3/4	2-5/8	1-9/16	1	1	3.820
BCH-1375	1-1/4	1.375	1	21/32	6-1/2	7/8	3	1-13/16	1-3/8	1-3/8	4.950
BCH-1750	1-19/32	1.750	1-1/4	15/16	7-1/2	7/8	3-1/2	2-5/16	1-3/4	1-3/4	5.730
BCH-2000	1-7/8	2.000	1-1/4	1-1/16	8-1/2	1	4-3/8	2-13/16	2	2	6.580

TABLA-5E

HORQUILLA MACHO CON ROTULA								
No. DE PARTE	ROSCA KK	A	CD	CK	CM	EA	LE	CT
HMR-437	7/16-20	3/4	0.500	7/16	13/16	11/16	9/16	1/2
HMR-750	3/4-16	1-1/8	0.750	21/32	1-3/16	1	13/16	7/8
HMR-1000	1-14	1-5/8	1.000	7/8	1-5/8	1-3/8	1-1/16	1-1/8
HMR-1250	1-1/4-12	2	1.375	1-3/16	2-1/8	1-5/8	1-7/16	1-1/2
HMR-1500	1-1/2-12	2-1/4	1.750	1-17/32	2-3/4	2-1/8	1-13/16	1-3/4
HMR-2875	2-7/8-12	3	2.000	1-3/4	3-1/4	2-1/2	2-1/16	2

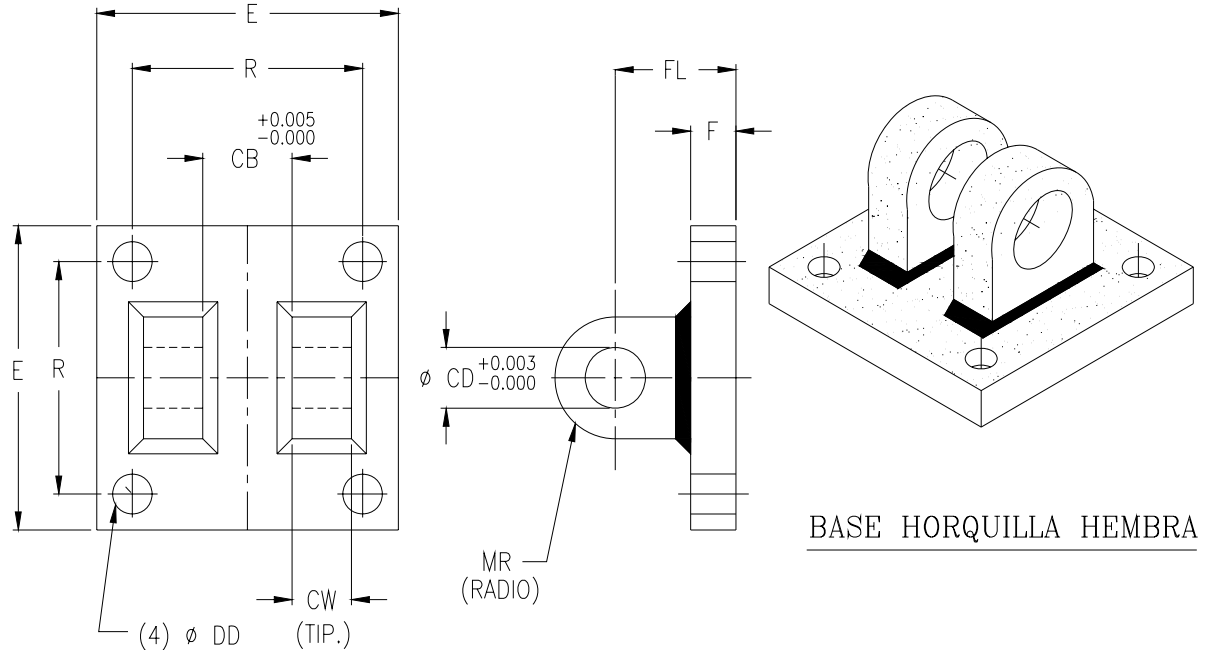
TABLA-6F

CONTRA TUERCA			
A	B	C	D
7/16-20	11/16	25/32	1/4
1/2-20	3/4	55/64	5/16
3/4-16	1-1/8	1-1/4	27/64
7/8-14	1-5/16	1-15/32	31/64
1-14	1-1/2	1-11/16	35/64
1-1/4-12	1-7/8	2-1/8	23/32
1-1/2-12	2-1/4	2-17/32	27/32
1-3/4-12	2-5/8	2-15/16	31/32
2-7/8-12	2-15/16	3-5/16	1-1/32
2-1/4-12	3-3/8	3-13/16	1-3/16



CILINDRO HIDRAULICO HDT

ACCESORIO PARA CILINDROS



BASE HORQUILLA HEMBRA										No. DE PARTE HORQUILLA MACHO	No. DE PARTE PERNO/C CANDADO
No. PARTE	CB	CD	DD	E	F	FL	R	MR	CW		
BHH-500	3/4	0.500	13/32	3	3/8	1-1/8	2.050	1/2	1/2	HM-500	PC-500
BHH-750	1-1/4	0.750	17/32	4-1/2	5/8	1-7/8	3.250	3/4	5/8	HM-7500	PC-750
BHH-1000	1-1/2	1.000	21/32	5	3/4	2-1/4	3.820	1	3/4	HM-1000	PC-1000
BHH-1375	2	1.375	21/32	6-1/2	7/8	3	4.950	1-3/8	1	HM-1375	PC-1375
← BHH-1750	2-1/2	1.750	15/16	7-1/2	7/8	3-1/8	5.730	1-3/4	1-1/4	HM-1750	PC-1750 →
BHH-2000	2-1/2	2.000	1-1/16	8-1/2	1	3-1/2	6.580	2	1-1/4	HM-2000	PC-2000
BHH-2500	3	2.500	1-3/16	9-1/2	1	4	7.500	2-1/2	1-1/2	HM-2500	PC-2500
BHH-3000	3	3.000	1-5/16	12-5/8	1	4-1/4	9.150	2-3/4	1-1/2	HM-3000	PC-3000
BHH-3500	4	3.500	1-13/16	14-7/8	1-11/16	5-11/16	10.920	3-1/2	2	HM-3500	PC-3500
BHH-4000	4-1/2	4.000	2-1/16	17-1/4	1-15/16	6-7/16	12.560	4	2-1/4	HM-4000	PC-4000

EJEMPLO: 1

⇒ PARA UNA BASE HORQUILLA HEMBRA CON No. DE PARTE BHH-1750
UTILIZAR UN PERNO CON No. DE PARTE: PC-1750 (VER PAG. 28)

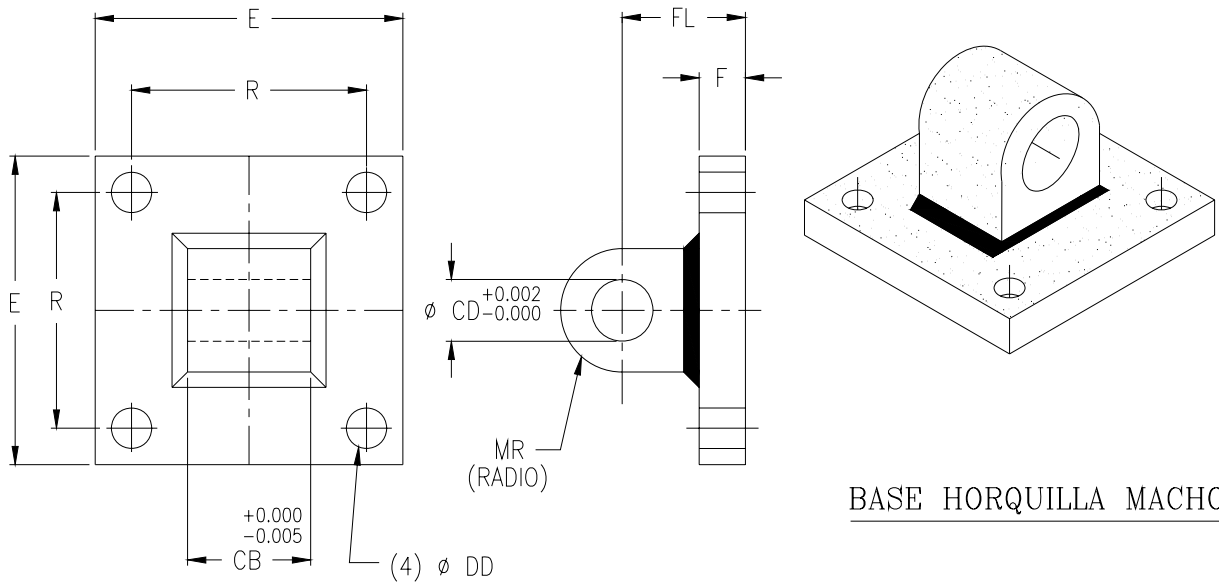
EJEMPLO: 2

⇒ PARA UNA BASE HORQUILLA HEMBRA CON No. DE PARTE BHH-1750
UTILIZAR UNA HORQUILLA MACHO CON No. DE PARTE: HM-1750 (VER PAG. 27)



CILINDRO HIDRAULICO HDT

ACCESORIO PARA CILINDROS



BASE HORQUILLA MACHO

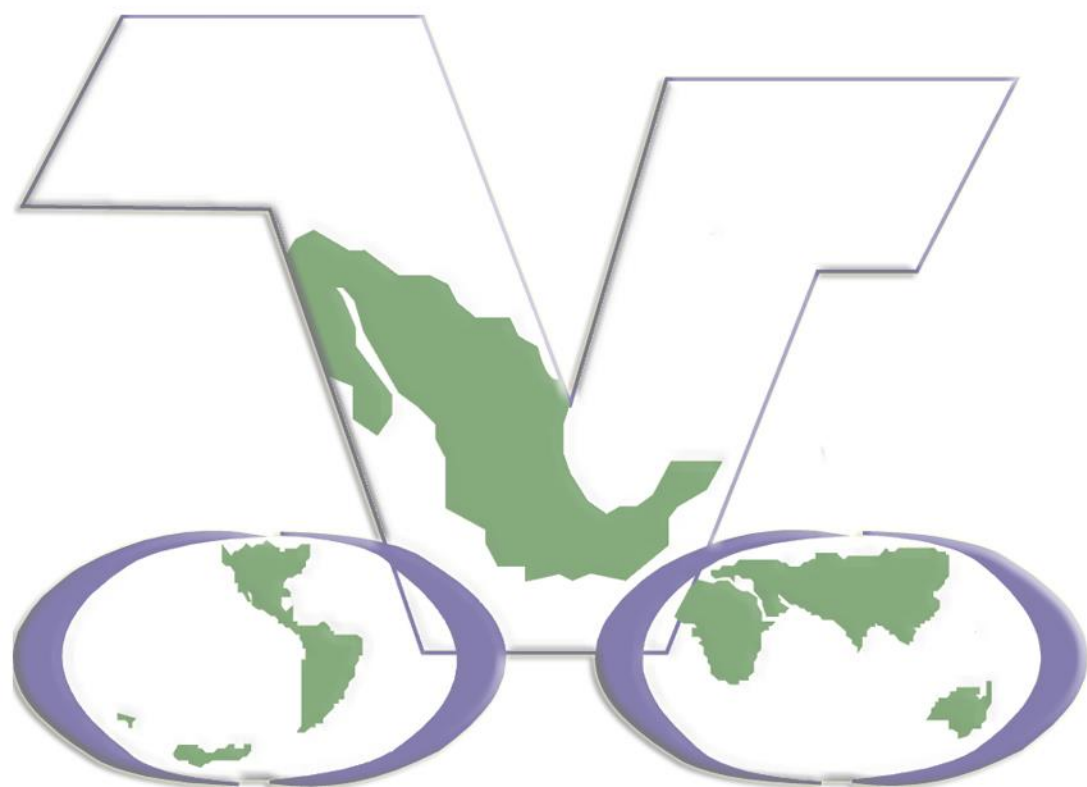
BASE HORQUILLA MACHO									No. DE PARTE HORQUILLA HEMBRA	No. DE PARTE PERNO/C CANDADO
No. PARTE	CB	CD	DD	E	F	FL	R	MR		
BHM-437	5/8	0.437	9/32	2	3/8	1	1.430	7/16	---	PC-437
BHM-500	3/4	0.500	13/32	2-1/2	3/8	1-1/8	1.630	1/2	HE-500	PC-500
BHM-750	1-1/4	0.750	17/32	3-1/2	5/8	1-7/8	2.550	3/4	HE-750	PC-750
BHM-1000	1-1/2	1.000	21/32	4-1/2	3/4	2-1/4	3.250	1	HE-1000	PC-1000
BHM-1375	2	1.375	21/32	5	7/8	3	3.820	1-3/8	HE-1375	PC-1375
⇐ BHM-1750	2-1/2	1.750	15/16	6-1/2	7/8	3-1/8	4.950	1-3/4	HE-1750	PC-1750
BHM-2000	2-1/2	2.000	1-1/16	7-1/2	1	3-1/2	5.730	2	HE-2000	PC-2000
BHM-2500	3	2.500	1-3/16	8-1/2	1	4	6.580	2-1/2	HE-2500	PC-2500
BHM-3000	3	3.000	1-5/16	9-1/2	1	4-1/4	7.500	2-3/4	HE-3000	PC-3000
BHM-3500	4	3.500	1-13/16	12-5/8	1-11/16	5-11/16	9.150	3-1/2	HE-3500	PC-3500
BHM-4000	4-1/2	4.000	2-1/16	14-7/8	1-15/16	6-7/16	10.920	4	HE-4000	PC-4000

EJEMPLO: 1

- ⇐ PARA UNA BASE HORQUILLA MACHO No. DE PARTE BHM-1750
UTILIZAR UNA HORQUILLA HEMBRA CON No. DE PARTE: HE-1750 (VER PAG. 29)

EJEMPLO: 2

- ⇐ PARA UNA HORQUILLA MACHO No. DE PARTE BHM-1750
UTILIZAR UN PERNO CON No. DE PARTE: PC-1750 (VER PAG. 28)



MX 
**HECHO EN
MÉXICO**